

Issue

Product : Hand Dryer Product Number: HDR101***, HDR111***, HDR130***

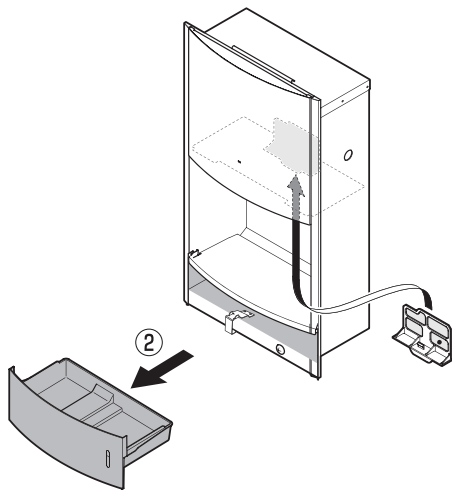
Cause

Hair can become entangled if a user with long hair places their head or hair inside the blower chamber and the filter is not in place. Note that the recommended use for this dryer is for drying hands not hair.

Why Does This Happen?

Below is the underside of the blower for the HDR111 hand dryer.

The filter cartridge must be installed in the unit for the hand dryer to operate properly and safely. If the filter cartridge is removed, it must be reinstalled and in place to prevent the introduction of hair into the unit. If the filter cartridge is not present, it is important to notify TOTO USA to obtain new filter housing for the hand dryer.



Solution

If the filter is missing and not in place, then the unit should be turned off and signage placed on the front of the unit to prevent operation. See the sample below



Parts Number: THP3065



Contact Information

E-Mail: techsupport@totousa.com

Phone: 888-295-8134 press option 4

Product List

Product : Hand Dryer Product Number: HDR101***, HDR111***, HDR130***

TOTO.

HDR101#WH

Clean Dry™ High Speed Hand Dryer

FEATURES

- High speed hand dryer
- Hygienic, touch-free operation
- Splash resistant
- Water tray to prevent slip and fall
- Space saving, compact design
- Low Operating noise 57dB(A)
- Energy Efficient 390W
- AC powered

COLORS/FINISHES

- #WH White

CODES/STANDARDS

- Meets or exceeds ANSI/UL 507, 9th edition, Rev. June 18th 2012 and CSA C22.2 No. 113-12 Oct 2012.
- Certifications: Intertek/ETL
- Code Compliance: NEC, CEC



PRODUCT SPECIFICATION

TOTO Model No. HDR101#WH shall be a high speed hand dryer. The product shall provide hygienic, touch-free operation. The product shall have water tray to prevent wet floor. The product shall have operating noise of 57dB(A) or less. The product shall be AC powered and consume 390 W or less.



TOTO.

HDR111#SS

Clean Dry™ High Speed Hand Dryer

FEATURES

- High speed hand dryer
- Hygienic, touch-free operation
- Splash resistant
- Space saving, in-wall design
- Vandal proof water tray
- Low Operating noise 56dB(A)
- Energy Efficient 390W
- AC powered
- Stainless Steel Cover
- Flush mount
- ADA compliant

COLORS/FINISHES

- #SS Stainless Steel Finish

CODES/STANDARDS

- Meets or exceeds ANSI/UL 507, 9th edition, Rev. June 18th 2012 and CSA C22.2 No. 113-12 Oct 2012.
- Certifications: Intertek/ETL
- Code Compliance: NEC, CEC
- ADA compliant



PRODUCT SPECIFICATION



TOTO.

HDR130#SV

Clean Dry™ High Speed Hand Dryer

FEATURES

- High speed hand dryer
- Hygienic, touch-free operation
- Durable aluminium construction
- Low Operating noise 55dB(A)
- Energy Efficient 390W
- AC powered

COLORS/FINISHES

- #SV Silver

CODES/STANDARDS

- Meets or exceeds ANSI/UL 507, 9th edition, Rev. June 18th 2012 and CSA C22.2 No. 113-12 Oct 2012.
- Certifications: Intertek/ETL
- Code Compliance: NEC, CEC



PRODUCT SPECIFICATION

TOTO Model No. HDR130#SV shall be a high speed hand dryer. The product shall provide hygienic, touch-free operation. The product shall have operating noise of 55dB(A) or less. The product shall be AC powered and consume 390 W or less.



Contact Information

E-Mail: techsupport@totousa.com

Phone: 888-295-8134 press option 4