

## Issue

Product : Hand Dryer Product Number: HDR100\*\*, 110\*\*  
 (discontinued product – Replaced by HDR101, HDR111, HDR130)

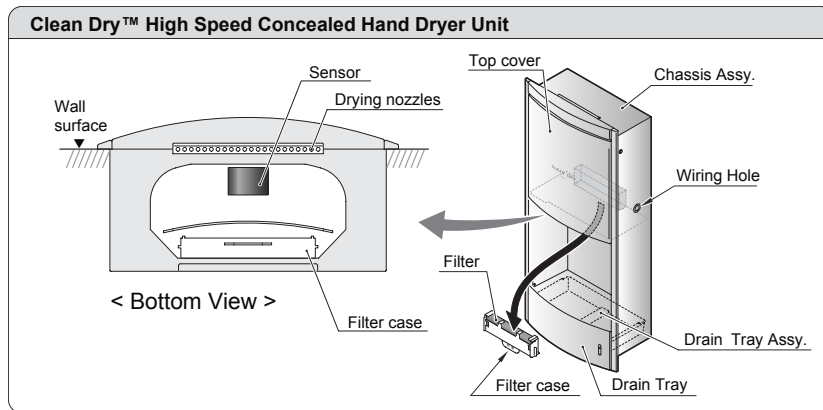
## Cause

Hair can become entangled if a user with long hair places their head or hair inside the blower chamber and the filter is not in place. Note that the recommended use for this dryer is for drying hands not hair.

## Why Does This Happen?

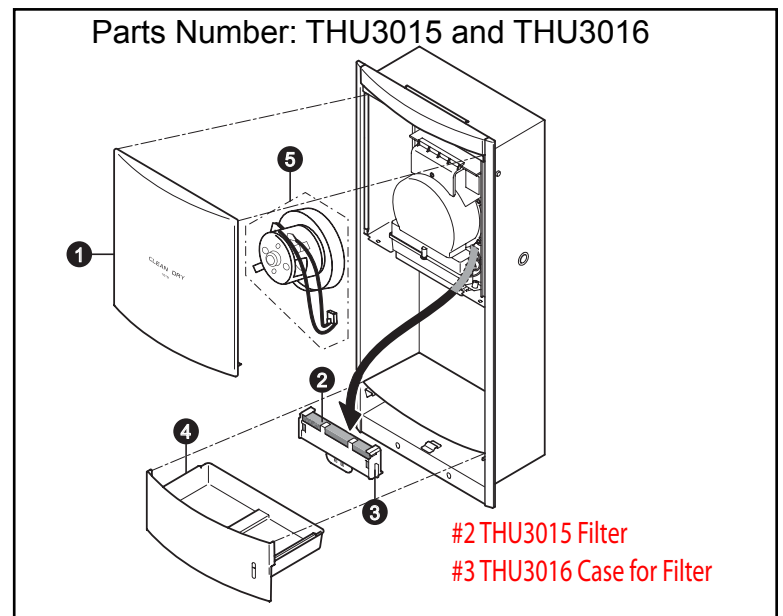
Below is the underside of the blower for the HDR110 hand dryer.

The filter cartridge must be installed in the unit for the hand dryer to operate properly and safely. If the filter cartridge is removed, it must be reinstalled and in place to prevent the introduction of hair into the unit. If the filter cartridge is not present, it is important to notify TOTO USA to obtain new filter housing for the hand dryer.



## Solution

If the filter is missing and not in place, then the unit should be turned off and signage placed on the front of the unit to prevent operation. See the sample below.



## Contact Information

E-Mail: [techsupport@totousa.com](mailto:techsupport@totousa.com)  
 Phone: 888-295-8134 Press Option 4

## Issue

Product : Hand Dryer Product Number: HDR100\*\*, 110\*\*

**TOTO®**

### HDR100#GY

Sensor Activated Clean Dry™ High Speed Hand Dryer

#### FEATURES

- AC powered hand dryer, equipped with very fast and quiet motor providing 224 mph air speed with only 62 dB noise rating
- Takes only 12 seconds to dry hands
- Touch free infra red sensor activation with power saving function which turns the motor off automatically when hands are removed or after 60 seconds of use
- Drip tray to prevent water from trickling to the floor
- Hard wired

#### COLORS/FINISHES

- #GY Gray

#### CODES/STANDARDS

- Meets or exceeds UL507, CSA C22.2 #113-M1984
- Certifications: Intertek/ETL
- Code Compliance: NEC, CEC



#### PRODUCT SPECIFICATION

TOTO® Model No. \_\_\_\_\_  
Automatic infrared sensor activated, high speed hand dryer. 120 V AC power hardwiring required. Decibel rating of 62 dB for low noise level while providing 224 mph air speed for fast drying. Low power consumption of 510 Watts. Drain Tray to collect water from hands.



**TOTO®**

### HDR110#SS

Sensor Activated Clean Dry™ High Speed Concealed Hand Dryer

#### FEATURES

- AC powered hand dryer, equipped with very fast and quiet motor providing 224 mph air speed with only 58db noise rating
- Takes only 12 seconds to dry hands
- Touch free infra red sensor activation with power saving function which turns the motor off automatically when hands are removed or after 60 seconds of use
- Drip tray to prevent water from trickling to the floor
- Hard wired
- Mounts flush with the wall for clean design
- Flush mounting deters vandalism
- Quality, attractive construction with stainless steel body

#### COLORS/FINISHES

- #SS Stainless Steel

#### CODES/STANDARDS

- Meets or exceeds UL507, CSA C22.2 #113-M1984
- Certifications: Intertek/ETL
- Code Compliance: NEC, CEC
- ADA compliant



#### PRODUCT SPECIFICATION

TOTO® Model No. \_\_\_\_\_  
Automatic infrared sensor activated, high speed hand dryer. 120 V AC power hardwiring required. Decibel rating of 58dB for low noise level while providing 224 mph air speed for fast drying. Low power consumption of 510 Watts. Drain Tray to collect water from hands.

