



Dear Bemis and Church Rep,

Since its introduction to the market in 2011, the Next Step® Built-In Potty Seat™ has been a huge success due in part to the innovative design and the sales support your agency put behind the launch of this product. We sincerely thank you for your support and continued efforts to date.

I'm excited to tell you about some enhancements made to the Next Step child seat so that you can reintroduce it to our customers.

Branding – We are replacing the Bemis and Church logo's currently imprinted on the underside of the cover with the Next Step logo. We feel that since our marketing efforts revolve around the Next Step brand, it makes sense to place the Next Step logo on the seat.

The "nextstep" logo is written in a lowercase, grey, sans-serif font with a registered trademark symbol (®) to the upper right.

Part Numbers – We are replacing the Bemis and Church part numbers used currently (583/1583SLOW and 683/1683SLOW, respectively) with 483/1483SLOW. This will be reflected on all new literature pieces and price schedules as well as on Bemisseats.com, Churchseats.com and Toiletseats.com where we will also be uploading new videos.

Child Ring – We have enhanced the child ring to make it even more secure when it is fastened to the adult seat. The earlier version allowed the child ring to be snapped on and off the hinge pintles at any given angle. The enhanced design requires the child ring to be at a 90 degree angle to the bowl to be snapped on and off the hinge pintles. In addition to that, we have also made the hinge pintles that the child ring snaps onto more robust.

Hinge Caps – We are transitioning from the traditional twist style Easy Clean & Change® cap to a flip style cap which is currently used on our E3 seats. Research has proven that consumers prefer the flip cap over the twist cap.

Shipping of the new seats is expected to start middle to late August 2015. If you have any questions, please contact your Bemis/Church Regional Sales Manager.

Good selling,

A handwritten signature in black ink that reads "Bob".

Bob Davis

Director of Market and Business Development – Wholesale and OEM, North America



RESIDENTIAL NEXTSTEP® MOLDED WOOD TOILET SEAT

MODEL #

COLOR #

1483SLOW

DESCRIPTION :

Closed front with cover, elongated, molded wood, multi-coat enamel finish toilet seat. Features two color-matched bumpers, color-matched Whisper•Close® with Easy•Clean & Change® hinges with STA-TITE® Seat Fastening System™. Seat shall have an integrated solid-plastic child seat to accommodate the needs of both adult and child. Child seat secures magnetically into cover when not in use and can be removed for easy cleaning or when no longer needed.

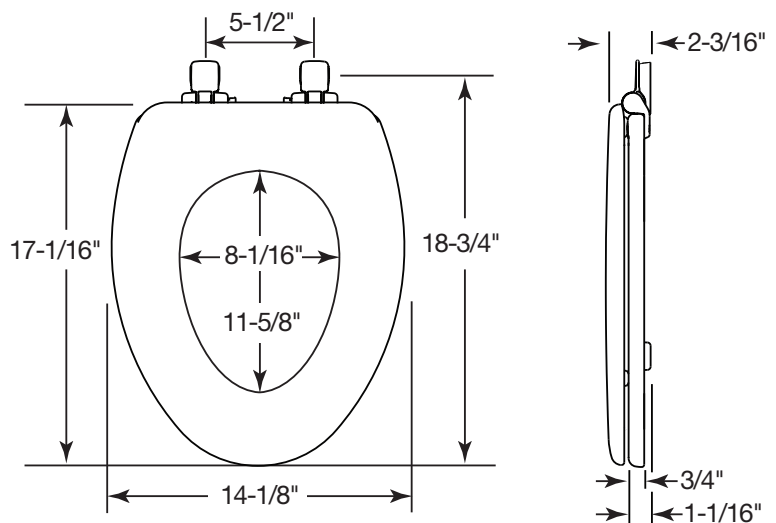
SPECIFICATIONS :

Size:	Elongated
Material:	Molded Wood/Plastic
Style:	Closed Front with Cover
Bumpers:	Two
Hinge:	Plastic Whisper•Close® with Easy•Clean & Change®
Fastening System:	STA-TITE® Seat Fastening System™

FEATURES :

- Built-In Potty Seat™
- Whisper•Close®
- Easy•Clean & Change®
- STA-TITE® Seat Fastening System™

DIMENSIONS :



Child Ring Dimensions:
Inside Ring Length 7-15/16"
Inside Ring Width 5-1/8"



WHISPER•CLOSE®
FEATURE



LIFT HINGES TO UNLOCK



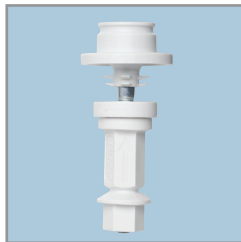
EASY REMOVAL OF SEAT
FOR THOROUGH CLEANING



CHILD SEAT SECURES
MAGNETICALLY INTO
COVER WHEN NOT IN USE



REMOVABLE CHILD SEAT



STA-TITE® SEAT
FASTENING SYSTEM™

Proudly Made in the USA

Bemis Manufacturing Co., Sheboygan Falls, WI 53085
www.BemisSeats.com

Phone: 800-558-7651 Fax: 800-292-3647



RESIDENTIAL NEXTSTEP® MOLDED WOOD TOILET SEAT

MODEL #

COLOR #

483SLOW

DESCRIPTION :

Closed front with cover, round, molded wood, multi-coat enamel finish toilet seat. Features two color-matched bumpers, color-matched Whisper•Close® with Easy•Clean & Change® hinges with STA-TITE® Seat Fastening System™. Seat shall have an integrated solid-plastic child seat to accommodate the needs of both adult and child. Child seat secures magnetically into cover when not in use and can be removed for easy cleaning or when no longer needed.

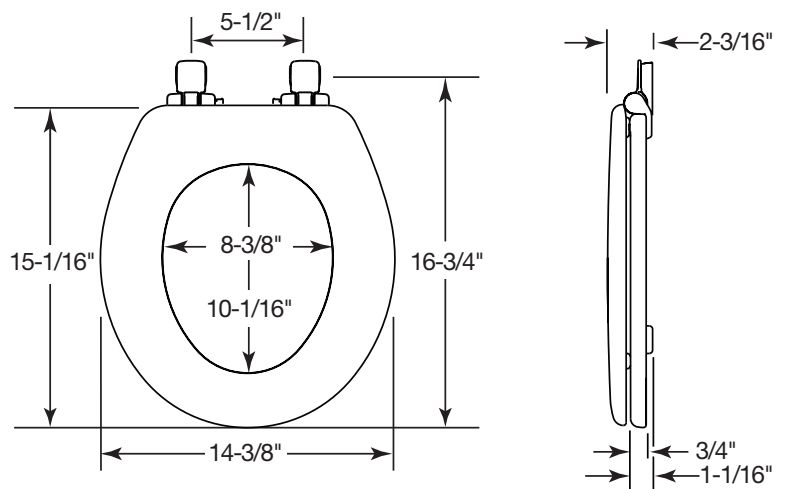
SPECIFICATIONS :

Size:	Round
Material:	Molded Wood/Plastic
Style:	Closed Front with Cover
Bumpers:	Two
Hinge:	Plastic Whisper•Close® with Easy•Clean & Change®
Fastening System:	STA-TITE® Seat Fastening System™

FEATURES :

- Built-In Potty Seat™
- Whisper•Close®
- Easy•Clean & Change®
- STA-TITE® Seat Fastening System™

DIMENSIONS :



Child Ring Dimensions:
 Inside Ring Length 6-11/16"
 Inside Ring Width 5-1/4"



WHISPER•CLOSE®
FEATURE



LIFT HINGES TO UNLOCK



EASY REMOVAL OF SEAT
FOR THOROUGH CLEANING



CHILD SEAT SECURES
MAGNETICALLY INTO
COVER WHEN NOT IN USE



REMOVABLE CHILD SEAT



STA-TITE® SEAT
FASTENING SYSTEM™

Proudly Made in the USA

Bemis Manufacturing Co., Sheboygan Falls, WI 53085
www.BemisSeats.com

Phone: 800-558-7651 Fax: 800-292-3647
©2015 0B7012370



New Product Bulletin



nextstep[®]

Built-In Potty Seat[™]



- 2-in-1 Seat Accommodates the Needs of Both Adult and Child
- Child Seat Easily Removes for Cleaning or When No Longer Needed
- Whisper•Close[®] - Slowly and Quietly Closes with a Tap, Eliminating Slamming and Pinched Fingers
- Easy•Clean & Change[®] - Seat Removes for easy cleaning.
- STA-TITE[®] Seat Fastening System[™] - Installs with Ease, Never Loosens

Model No.	Description	Master Pack	Weight (lbs)	Color	Suggested List
483SLOW	Round CFWC with Whisper•Close [®] , Easy•Clean & Change [®] Hinge and STA-TITE [®] Seat Fastening System [™]	4	29.0	White, Bone, Biscuit	\$55.68
1483SLOW	Elongated CFWC with Whisper•Close [®] , Easy•Clean & Change [®] Hinge and STA-TITE [®] Seat Fastening System [™]	4	31.4	White, Bone, Biscuit	\$61.25

*Pricing per price sheet dated January 2015 and is subject to change without notice.

Contact Your Bemis Representative For More Information.





RESIDENTIAL NEXTSTEP® MOLDED WOOD TOILET SEAT

MODEL #

COLOR #

1483SLOW

DESCRIPTION:

Closed front with cover, elongated, molded wood, multi-coat enamel finish toilet seat. Features two color-matched bumpers, color-matched Whisper•Close® with Easy•Clean & Change® hinges with STA-TITE® Seat Fastening System™. Seat shall have an integrated solid-plastic child seat to accommodate the needs of both adult and child. Child seat secures magnetically into cover when not in use and can be removed for easy cleaning or when no longer needed.

SPECIFICATIONS:

Size:	Elongated
Material:	Molded Wood/Plastic
Style:	Closed Front with Cover
Bumpers:	Two
Hinges:	Plastic Whisper•Close® with Easy•Clean & Change®
Fastening System:	STA-TITE® Seat Fastening System™

FEATURES:

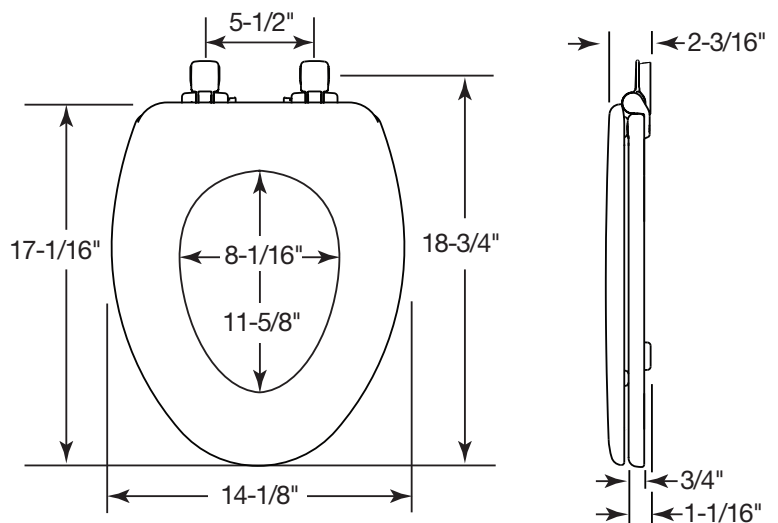
Built-In Potty Seat™

Whisper•Close®

Easy•Clean & Change®

STA-TITE® Seat Fastening System™

DIMENSIONS:



Child Ring Dimensions:
Inside Ring Length 7-15/16"
Inside Ring Width 5-1/8"



WHISPER•CLOSE®
FEATURE



LIFT HINGES TO UNLOCK



EASY REMOVAL OF SEAT
FOR THOROUGH CLEANING



CHILD SEAT SECURES
MAGNETICALLY INTO
COVER WHEN NOT IN USE



REMOVABLE CHILD SEAT



STA-TITE® SEAT
FASTENING SYSTEM™

Proudly Made in the USA

Church Seats, Sheboygan Falls, WI 53085
www.ChurchSeats.com

Phone: 800-233-7328 Fax: 800-292-3647



RESIDENTIAL NEXTSTEP® MOLDED WOOD TOILET SEAT



MODEL #

COLOR #

483SLOW

DESCRIPTION :

Closed front with cover, round, molded wood, multi-coat enamel finish toilet seat. Features two color-matched bumpers, color-matched Whisper•Close® with Easy•Clean & Change® hinges with STA-TITE® Seat Fastening System™. Seat shall have an integrated solid-plastic child seat to accommodate the needs of both adult and child. Child seat secures magnetically into cover when not in use and can be removed for easy cleaning or when no longer needed.

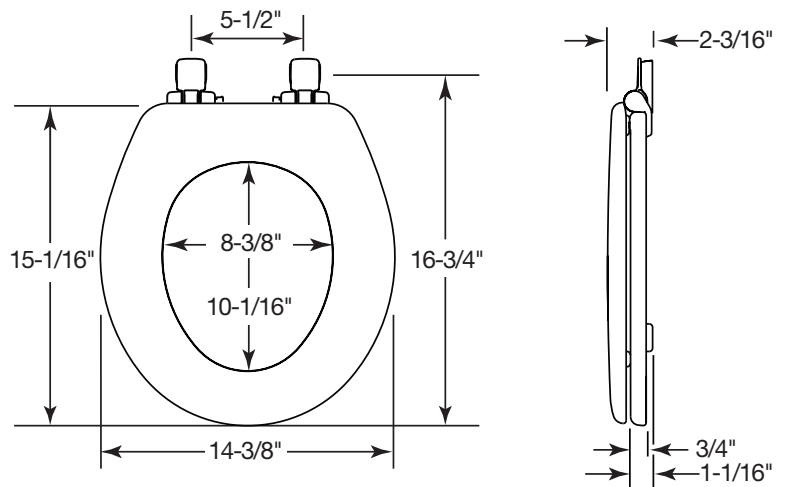
SPECIFICATIONS :

Size:	Round
Material:	Molded Wood/Plastic
Style:	Closed Front with Cover
Bumpers:	Two
Hinges:	Plastic Whisper•Close® with Easy•Clean & Change®
Fastening System:	STA-TITE® Seat Fastening System™

FEATURES :

- Built-In Potty Seat™
- Whisper•Close®
- Easy•Clean & Change™
- STA-TITE® Seat Fastening System™

DIMENSIONS :



Child Ring Dimensions:
 Inside Ring Length 6-11/16"
 Inside Ring Width 5-1/4"



WHISPER•CLOSE®
FEATURE



LIFT HINGES TO UNLOCK



EASY REMOVAL OF SEAT
FOR THOROUGH CLEANING



CHILD SEAT SECURES
MAGNETICALLY INTO
COVER WHEN NOT IN USE



REMOVABLE CHILD SEAT



STA-TITE® SEAT
FASTENING SYSTEM™

Proudly Made in the USA

Church Seats, Sheboygan Falls, WI 53085
www.ChurchSeats.com

Phone: 800-233-7328 Fax: 800-292-3647
©2015 0B7082310



New Product Bulletin



nextstep® Built-In Potty Seat™

- 2-in-1 Seat Accommodates the Needs of Both Adult and Child
- Child Seat Easily Removes for Cleaning or When No Longer Needed
- Whisper•Close® - Slowly and Quietly Closes with a Tap, Eliminating Slamming and Pinched Fingers
- Easy•Clean & Change® - Seat Removes for easy cleaning.
- STA-TITE® Seat Fastening System™ - Installs with Ease, Never Loosens



Model No.	Description	Master Pack	Weight (lbs)	Color	Suggested List
483SLOW	Round CFWC with Whisper•Close®, Easy•Clean & Change® Hinge and STA-TITE® Seat Fastening System™	4	29.0	White, Bone, Biscuit	\$55.68
1483SLOW	Elongated CFWC with Whisper•Close®, Easy•Clean & Change® Hinge and STA-TITE® Seat Fastening System™	4	31.4	White, Bone, Biscuit	\$61.25

*Pricing per price sheet dated January 2015 and is subject to change without notice.

Contact Your Church Representative For More Information.

