

**TOTO®**

**Carlyle® II 1G® One-Piece Toilet**



**1G**

ONE GALLON

# MS614114CUF(G)



CALGreen



## Carlyle® II 1G® ONE-PIECE TOILET, 1.0 GPF

### FEATURES

- Double Cyclone® flushing system, ultra high-efficiency (1.0GPF/3.8LPF)
- Skirted design
- SanaGloss® ceramic glaze - a highly smoothed surface for easier cleaning
- Universal Height
- Decorative one-piece design with high-profile tank
- Elongated front bowl with SoftClose® seat (SS114)
- 12" Uni-fit rough-in
- Optional 10" - 14" Uni-fit rough-in
- Chrome trip lever
- Meets water efficiency and performance standards

### SPECIFICATIONS

- |                       |                                     |
|-----------------------|-------------------------------------|
| • Water Use           | 1.0 GPF/3.8LPF                      |
| • Flush System        | Double Cyclone                      |
| • Min. Water Pressure | 8 psi (flowing)                     |
| • Water Surface       | 6-7/8" x 9-3/4"                     |
| • Rough-in            | 12" (optional 10" or 14")           |
| • Trap Seal           | 2-1/8"                              |
| • Warranty            | One Year Limited Warranty           |
| • Material            | Vitreous china                      |
| • Shipping Weight     | 110 lbs.                            |
| • Shipping Dimensions | 32"L x 20"W x 17-3/4"H¹ x 28-3/4"H² |

### COMPONENTS

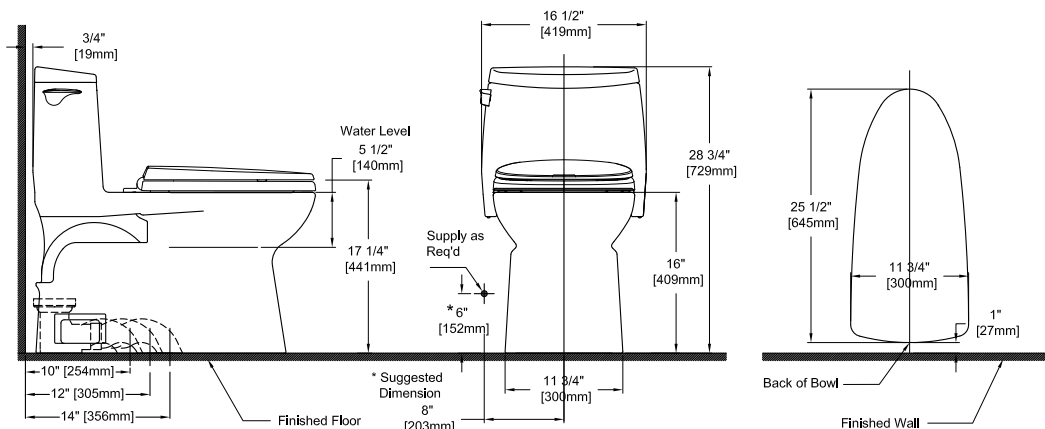
- |                |                |
|----------------|----------------|
| • MS614114CUFG | with SanaGloss |
| • SS114        | SoftClose seat |

### OPTIONAL ROUGH-IN

- |              |                                |
|--------------|--------------------------------|
| • TSU01W.10R | 10" rough-in (sold separately) |
| • TSU01W.14R | 14" rough-in (sold separately) |

### COLORS/FINISHES

- #01 Cotton



**TOTO®**

*These dimensions and specifications are subject to change without notice*

Ph: (888) 295-8134 | Fax: (800) 699-4889 | [www.totousa.com](http://www.totousa.com)

# SS-01100 V.01

**TOTO®**

**Vespin® II 1G® Two-Piece Toilet**



**1G**

ONE GALLON



## Vespin® II 1G® TWO-PIECE TOILET, 1.0 GPF

### FEATURES

- Double Cyclone® flushing system, ultra high-efficiency (1.0GPF/3.8LPF)
- Skirted design
- SanaGloss ceramic glaze
- ADA Compliant
- Universal Height
- Two-piece decorative high profile toilet
- Elongated front bowl and tank set, less seat
- 12" Uni-fit rough-in, less supply
- Chrome trip lever
- Meets water efficiency and performance standards

### COMPONENTS

- CT474CUFG Elongated Front Bowl with SanaGloss
- ST453U Tank and Cover only
- ST453UR Tank and Cover only with righ-hand trip lever
- SS114 SoftClose® seat (sold separately)

### OPTIONAL ROUGH-IN

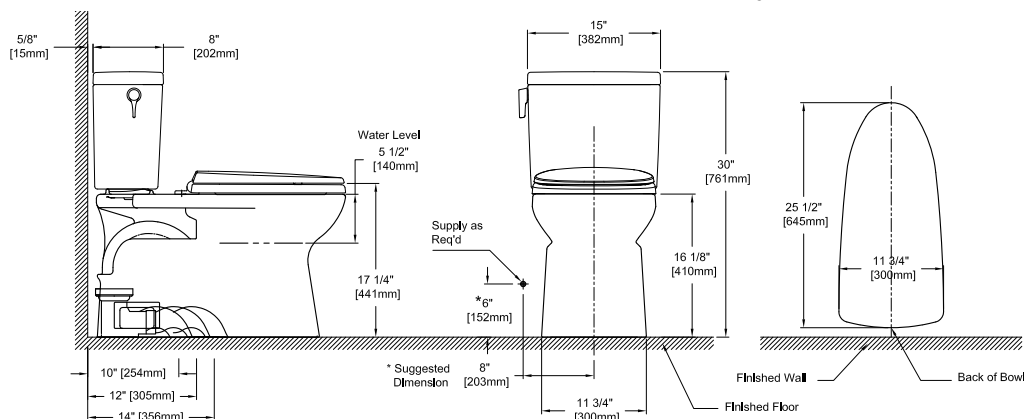
- TSU01W.10R 10" rough-in (sold separately)
- TSU01W.14R 14" rough-in (sold separately)

### COLORS/FINISHES

- #01 Cotton
- #11 Colonial White
- #03 Bone
- #12 Sedona Beige
- #51 Ebony

### SPECIFICATIONS

- Water Use 1.0 GPF / 3.8 LPF
- Flush System Double Cyclone
- Min. Water Pressure 8 psi (flowing)
- Water Surface 6-7/8" x 9-3/4"
- Rough-in 12" (optional 10" or 14")
- Trap Seal 2-1/8"
- Warranty One Year limited warranty
- Material Vitreous china



# TOTO®

# CST474CUF(R)(G)

## Vespin® II 1G® Close Coupled High-Efficiency Toilet, 1.0GPF

### FEATURES

- Double Cyclone® flushing system, ultra low consumption (1.0GPF/3.8LPF)
- Skirted design
- SanaGloss® ceramic glaze - a highly smoothed surface for easier cleaning (not avail on Ebony #51)
- Universal Height
- Decorative two-piece design with high-profile tank
- Elongated front bowl and tank set, seat is not included
- 12" Uni-Fit rough-in (included)
- Optional 10"; 14" Uni-fit rough-in
- Chrome trip lever

### MODELS

- CST474CUFG  
With SanaGloss ceramic glaze
- CST474CUF  
Less SanaGloss ceramic glaze (#51 only)

### COMPONENTS

- CT474CUFG Elongated bowl with SanaGloss
- CT474CUF Elongated bowl, less SanaGloss
- ST453U Tank and cover only
- ST453UR Tank and cover only - right-hand trip lever
- SS224 SoftClose® seat (sold separately)
- SS214 SoftClose seat (sold separately)
- SS204 SoftClose seat (sold separately)
- SS114 SoftClose seat (sold separately)
- SS154 SoftClose seat (sold separately)
- TSU01W.10 10" rough-in (sold separately)
- TSU01W.14 14" rough-in (sold separately)

### COLORS/FINISHES

- #01 Cotton
- #03 Bone
- #11 Colonial White
- #12 Sedona Beige
- #51 Ebony (not available in SanaGloss)

### PRODUCT SPECIFICATION

The Two-Piece high-efficiency Double Cyclone flushing system toilet shall be 1.0GPF/3.8LPF. Universal Height Toilet with SanaGloss ceramic glaze finish. Toilet shall have high-profile tank, elongated front bowl and chrome trip lever. Toilet shall be

**TOTO Model CST474CUF**\_\_\_\_ **TOTO Seat** \_\_\_\_.



**SanaGloss**

**CYCLONE®**  
FLUSHING SYSTEM BY TOTO

### CODES/STANDARDS

- Meets or exceeds ASME A112.19.2/CSA B45.1
- Certifications: IAPMO(cUPC), EPA WaterSense, State of Massachusetts, City of Los Angeles, and others
- Code compliance: UPC, IPC, NSPC, NPC Canada, and others
- Legislative Compliance: California AB715, CALGreen Title 24, City of Los Angeles Water Efficiency Ordinance, California Energy Commission Standards
- ADA compliant (when installed with trip lever located on the approach side)





# TOTO®

# MS614114CUFG

## Carlyle® II 1G® One-Piece High-Efficiency Toilet, 1.0GPF

### FEATURES

- Double Cyclone® flushing system, ultra low consumption (1.0GPF/3.8LPF)
- Skirted design
- SanaGloss® ceramic glaze - a highly smoothed surface for easier cleaning
- Universal Height
- Decorative one-piece design with high-profile tank
- Elongated front bowl with SoftClose® seat (SS114)
- 12" Uni-fit rough-in (included)
- Optional 10"; 14" Uni-fit rough-in
- Chrome trip lever

### MODELS

- MS614114CUFG#01  
With SanaGloss ceramic glaze, SS114 SoftClose seat included

### COLORS/FINISHES

- #01 Cotton

### OPTIONAL ROUGH-IN

- 10" rough-in           TSU01W.10R
- 14" rough-in           TSU01W.14R

### PRODUCT SPECIFICATION

The one-piece high-efficiency Double Cyclone flushing system toilet shall be 1.0GPF/3.8LPF. Universal Height Toilet with SanaGloss ceramic glaze finish. Toilet shall have high-profile tank, elongated front bowl with SoftClose seat and chrome trip lever. Toilet shall be **TOTO Model MS614114CUFG#01.**



**SanaGloss**

**CYCLONE®**  
FLUSHING SYSTEM BY TOTO

### CODES/STANDARDS

- Meets or exceeds ASME A112.19.2/CSA B45.1
- Certifications: IAPMO(cUPC), EPA WaterSense, State of Massachusetts, City of Los Angeles, and others
- Code compliance: UPC, IPC, NSPC, NPC Canada, and others
- Legislative Compliance: California AB715, CALGreen Title 24, City of Los Angeles Water Efficiency Ordinance, California Energy Commission Standards
- ADA compliant (when installed with trip lever located on the approach side)



# MS614114CUFG

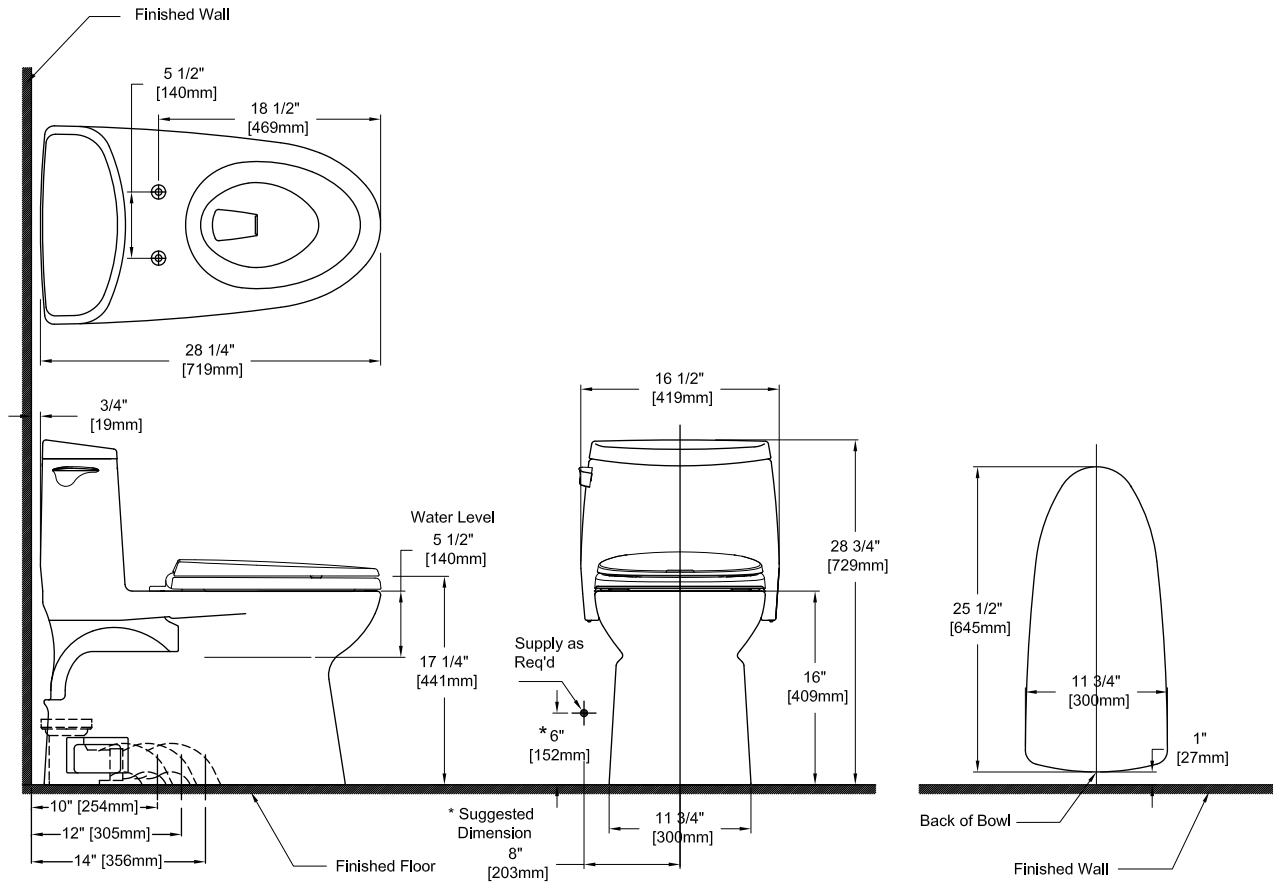
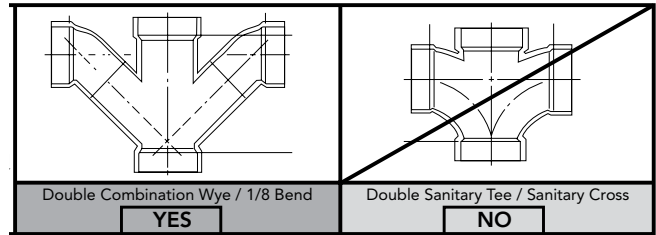
## Carlyle® II 1G® One-Piece high-Efficiency Toilet, 1.0GPF

### SPECIFICATIONS

- Water Use 1.0 GPF/3.8LPF
- Flush System Double Cyclone®
- Min. Water Pressure 8 psi (flowing)
- Water Surface 6-7/8" x 9-3/4"
- Trap Diameter 2-1/8"
- Rough-in 12"
- Trap Seal 2-1/8"
- Warranty One Year Limited Warranty
- Material Vitreous china
- Shipping Weight 110 lbs.
- Shipping Dimensions 32" L x 20" W x 17-3/4" H<sup>1</sup> x 28-3/4" H<sup>2</sup>

### INSTALLATION NOTES

Back-to-Back Toilet Installations:  
 TOTO recommends the use of a nationally listed, double sanitary tee-wye only, in vertical waste stacks, in accordance with the stipulations noted in the majority of nationally recognized plumbing codes.



**TOTO®**

*These dimensions and specifications are subject to change without notice*

# Product Bulletin

July 17, 2015 • Volume 2015 • Issue 14

**TOTO®**

**NEW !**

## VESPIN II® 1G Two-Piece Toilet CST474CUF(R)(G)#XX CARLYLE II® 1G One-Piece Toilet MS614114CUFG#01



Vespin II 1G

Product No.	List Price/UPC #			Description
	#01, #11	#03, #12	#51	
CST474CUFG	\$686 #01-739268298514 #11-739268300309	\$791 #03-739268300293 #12-739268300323	N/A	<ul style="list-style-type: none"> <li>Two-piece decorative high-profile skirted design toilet</li> <li>25-1/2"L x 15"W x 30"H</li> <li>1.0 GPF / 3.8 LPF Double Cyclone flushing system</li> <li>Elongated front bowl &amp; tank w/ chrome trip lever, less seat</li> <li>Universal Height and ADA compliant</li> <li>Meets water efficiency and performance standards</li> <li>SanaGloss® ceramic glaze</li> <li>12" Uni-fit rough-in (optional 10" or 14") less supply</li> </ul>
CST474CUF	N/A	N/A	\$1029 739268300330	Same as CST474CUFG less SanaGloss ceramic glaze
CST474CUFRG	\$686 #01-739268301672	N/A	N/A	Same as CST474CUFG with right-hand trip lever
CT474CUFG	\$491 #01-739268298125 #11-739268300200	\$564 #03-739268300224 #12-739268300217	N/A	<ul style="list-style-type: none"> <li>Elongated front bowl ONLY</li> <li>SanaGloss ceramic glaze</li> <li>Universal Height W/12" Uni-fit rough-in (optional 10" or 14")</li> </ul>
CT474CUF	N/A	N/A	\$749 739268300248	Same as CT474CUFG less SanaGloss ceramic glaze
ST453U	\$195 #01-739268233522 #11-739268246553	\$227 #03-739268246577 #12-739268246560	\$280 739268246584	<ul style="list-style-type: none"> <li>Tank and cover ONLY</li> <li>Complete with tank trim and coupling components</li> </ul>
ST453UR	\$195 #01-739268235786	N/A	N/A	Same as ST453U with Right Handle Trip lever



Carlyle II 1G

Product No.	List Price/UPC #	Description
	#01	
MS614114CUFG	\$974 739268298132	<ul style="list-style-type: none"> <li>One-piece decorative high-profile skirted design toilet</li> <li>25-1/2"L x 16-1/2"W x 28-3/4"H</li> <li>1.0 GPF / 3.8 LPF Double Cyclone flushing system</li> <li>Elongated front bowl &amp; tank w/Softclose seat #SS114</li> <li>Universal Height and ADA compliant</li> <li>Meets water efficiency and performance standards</li> <li>SanaGloss ceramic glaze</li> <li>12" Uni-fit rough-in (optional 10" or 14") less supply</li> </ul>

### Sales Conditions

1. Standard discount and freight programs apply
2. Available for immediate ordering and shipment

**TOTO®**

1155 Southern Road  
Morrow, GA 30260  
888-295-8134

www.totousa.com

© 2015 TOTO U.S.A.

*Sales Integration Department*