



Corporate Office & Showroom
1295 N Opdyke Road
Auburn Hills MI 48326
248.377.2300 / 800.482.1948

Cleveland Office & Showroom
12610 Corporate Drive
Parma OH 44130
216.362.9200 / 800.362.2807

www.trevarrowinc.com



Effective Dates: July 7, 2015 through August 31, 2015
Scope: All Trevarrow, Inc. Displaying dealers with account in good standing.
Purpose: Launch new pizza oven line

DISPLAY LAUNCH PROGRAM



*Purchase for Display
a minimum of (1) one*



**Forno de Pizza
Oven Package**



Receive

30% Off Dealer Cost
w/(6) Six Equal Payments
~or~

40% Off Dealer Cost
w/Net 30 Days

Plus

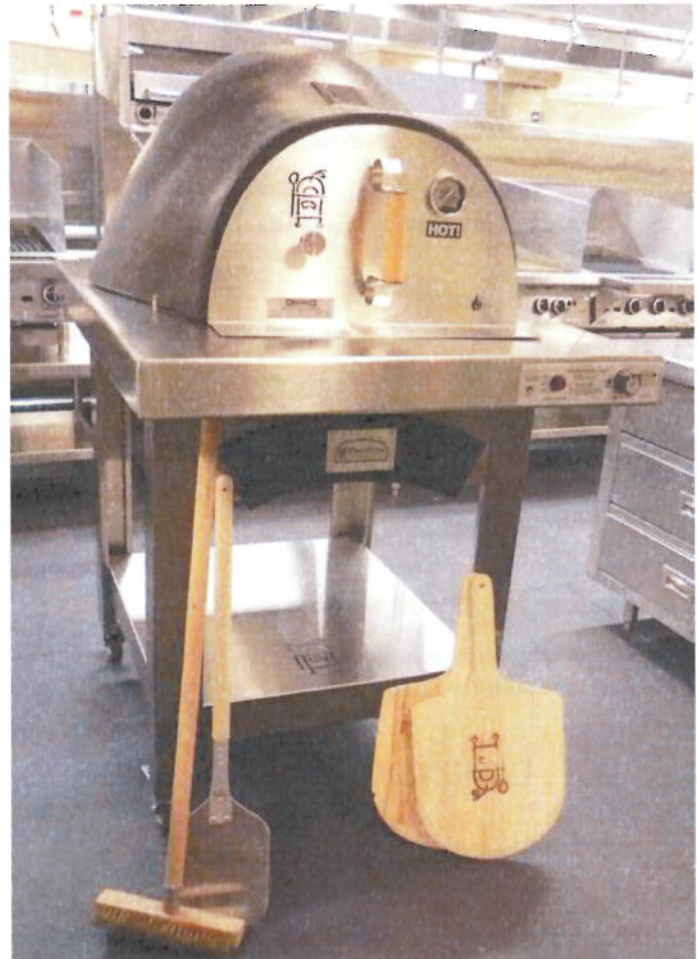
Two Product Promotion/Demonstration Events



Torino Signature Series Package (FPS04EI)

Features

- Lightest, most authentic portable dual fuel (wood-gas-fired) oven on the market
- LP or Natural Gas
- Built with the latest refractory material on the market, able to withstand 3000 degrees
- 11 gauge stainless steel construction
- Custom designed stainless steel burner
- 3v Electronic ignition system makes it easy to start the oven and regulate oven temperature
- Convenient battery operated system with optional 120V adaptor available
- 2 inch refractory cooking stone with one inch insulating layer retains heat longer
- 870 sq. in. cooking surface, 29x30 in. stone
- Reaches cooking temperature in 30-40 minutes
- Cooking tools included:
 - 2 - Wooden Peels
 - 1 - Aluminum Peel
 - 3 - Aluminum Plates
 - 1 - Oven Brush
- 3-piece oven makes it easy to assemble/disassemble
- Designed to fit through a 36 inch door
- Easily assembled with a tutorial video



Shown: Torino Signature Series with Ebony colored oven, stainless steel hearth. Peels and brush are included cooking tools. *Extra accessories shown:* Stainless steel door with damper and thermometer.

MODEL OPTIONS

FPS04EI-EB/BL-NG
Ebony Oven, Black Hearth—Natural Gas

FPS04EI-EB/BL-LP
Ebony Oven, Black Hearth—LP

FPS04EI-EB/SS-NG
Ebony Oven, Stainless Steel Hearth—Natural Gas

FPS04EI-EB/SS-LP
Ebony Oven, Stainless Steel Hearth—LP

Extra Accessories Available

- Stainless steel or black powder coated door with damper and thermometer
- Stainless steel door venting system to use simultaneously with gas and door
- Stainless steel utensil holder
- Custom outdoor cover
- Insulating cover (for winter cooking)
- Cast iron grill rack
- Infrared thermometer
- Door vent
- Dough Rolling Sheets

Distributed by:



Corporate Office 1295 N Opdyke Rd • Auburn Hills MI 48326 • 248.377.2300 • 800.482.1948

Cleveland Office 12610 Corporate Dr • Cleveland OH 44130 • 216.362.9200 • 800.362.2807

SPECIFICATIONS

PRODUCT

Dimensions 33 1/4" W x 60" H x 44" D

Weight 410 lbs.

ELECTRICAL

Supply 2 - D batteries

or, optional

120 V adaptor with 15amp service

GAS

Supply Liquid propane 10"WC

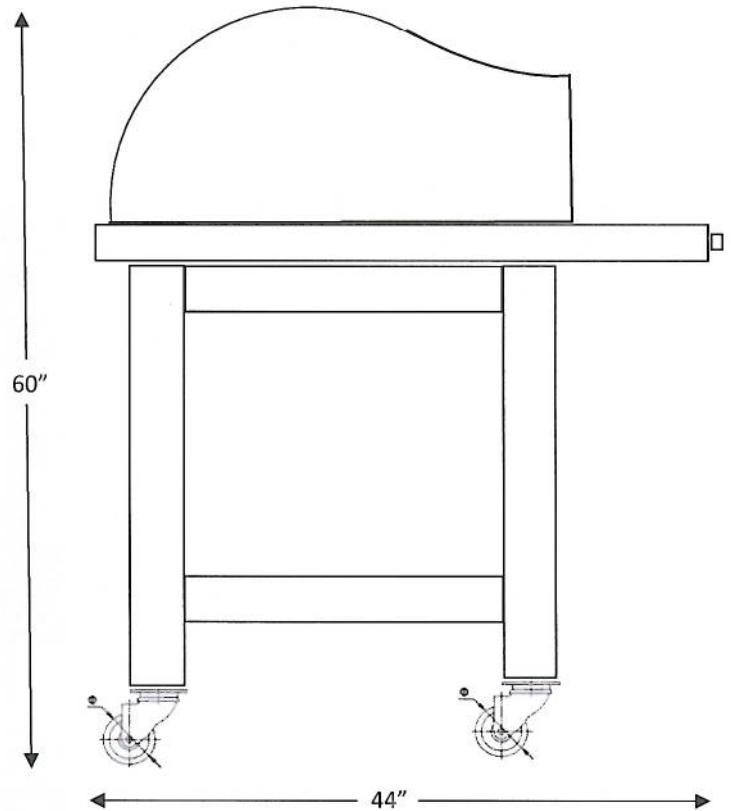
Natural gas 7"WC

Inlet 3/8 " NPT female

Please specify fuel type when ordering.

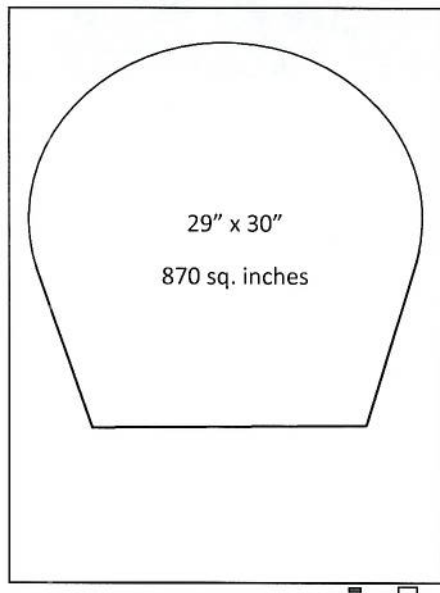
LP oven will come with regulator ready to connect to LP tank (LP tank not included).

The Torino Signature Series pizza oven is designed exclusively for outdoor use only.

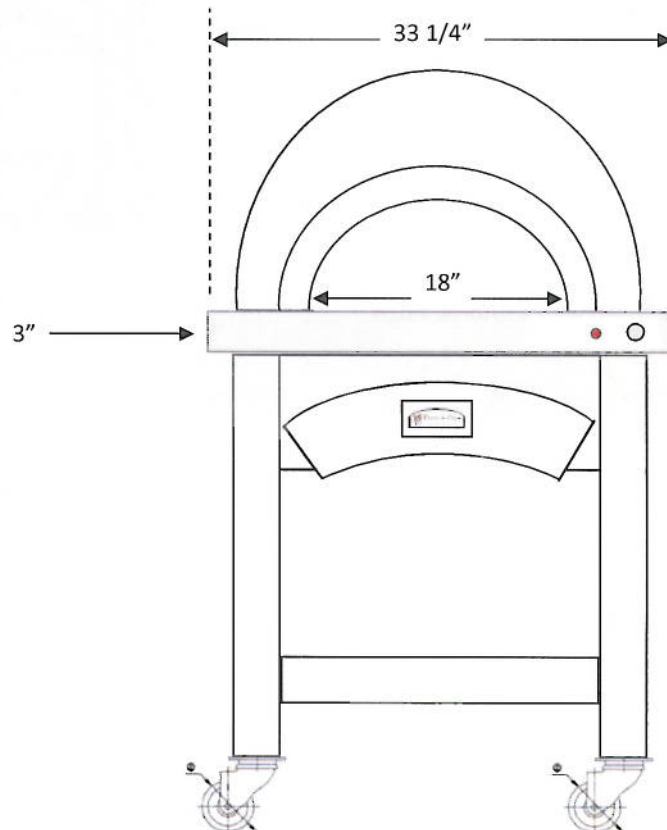


DIMENSIONS

Cooking stone



Note: Oven dome comes in the Ebony color.





Tuscan Series Package (FPS02EI)

Features

- Lightest, most authentic portable dual fuel (wood-gas-fired) oven on the market
- LP or Natural Gas
- Built with the latest refractory material on the market, able to withstand 3000 degrees
- 11 gauge powder coated steel construction
- Custom designed stainless steel burner
- 3v Electronic ignition system makes it easy to start the oven and regulate oven temperature
- Convenient battery operated system with optional 120V adaptor available
- 2 inch refractory cooking stone with one inch insulating layer retains heat longer
- 870 sq. in. cooking surface, 29x30 in. stone
- Reaches cooking temperature in 30-40 minutes
- Cooking tools included:
 - 2 - Wooden Peels
 - 1 - Aluminum Peel
 - 3 - Aluminum Plates
 - 1 - Oven Brush
- 3-piece oven makes it easy to assemble/disassemble
- Designed to fit through a 36 inch door
- Easily assembled with a tutorial video



Shown: Tuscan Series with Terra-Cotta colored oven and black hearth. Peel and brush are included cooking tools. *Extra accessories shown:* Black Vent & Black Door with damper and thermometer.

MODEL OPTIONS

FPS02EI-TC/BL-NG

Terra-Cotta Oven, Black Hearth—Natural Gas

FPS02EI-TC/BL-LP

Terra-Cotta Oven, Black Hearth—LP

FPS02EI-TC/SS-NG

Terra-Cotta Oven, Stainless Steel Hearth—Natural Gas

FPS02EI-TC/SS-LP

Terra-Cotta Oven, Stainless Steel Hearth—LP

Extra Accessories Available

- Stainless steel or black powder coated door with damper and thermometer
- Stainless steel door venting system to use simultaneously with gas and door
- Stainless steel utensil holder
- Custom outdoor cover
- Insulating cover (for winter cooking)
- Cast iron grill rack
- Infrared thermometer
- Door vent
- Dough Rolling Sheets

Distributed by:



Corporate Office 1295 N Opdyke Rd • Auburn Hills MI 48326 • 248.377.2300 • 800.482.1948

Cleveland Office 12610 Corporate Dr • Cleveland OH 44130 • 216.362.9200 • 800.362.2807

SPECIFICATIONS

PRODUCT

Dimensions 33 1/4" W x 60" H x 44" D

Weight 380

ELECTRICAL

Supply 2 -D batteries
or, optional
120 V adaptor with 15amp service

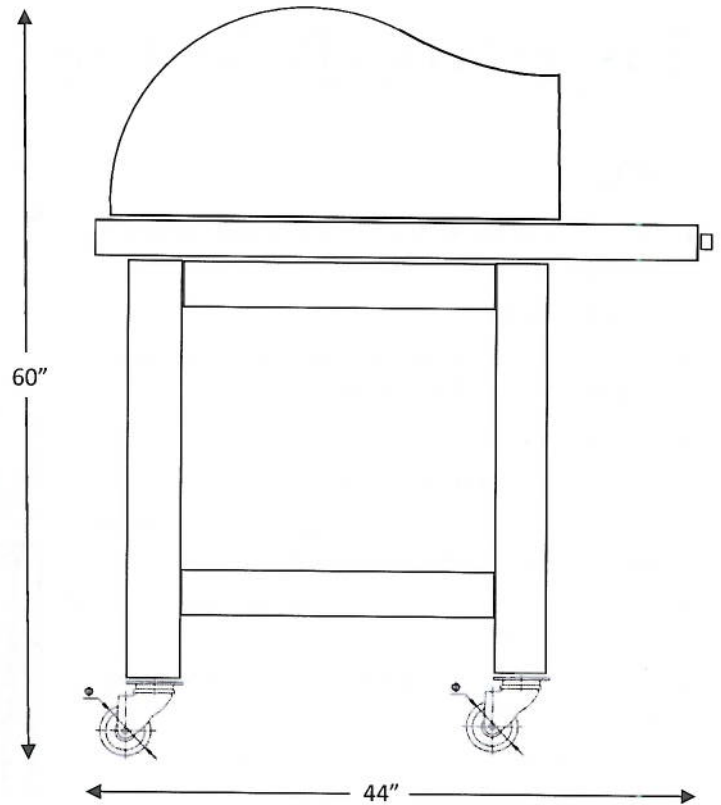
GAS

Supply Liquid propane 10"WC
Natural gas 7"WC
Inlet 3/8" NPT female

Please specify fuel type when ordering.

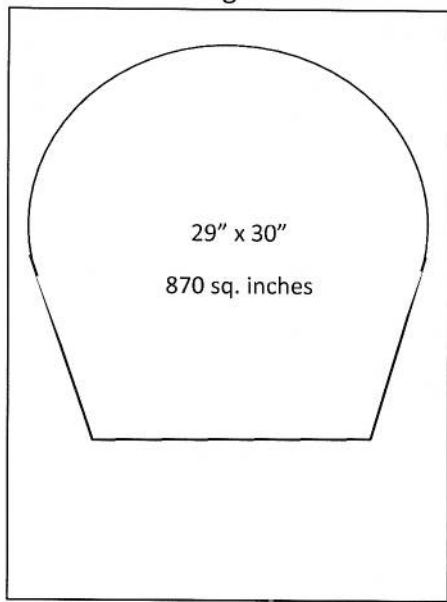
LP oven will come with regulator ready to connect to LP tank (LP tank not included).

The Tuscan Series pizza oven is designed exclusively for outdoor use only.

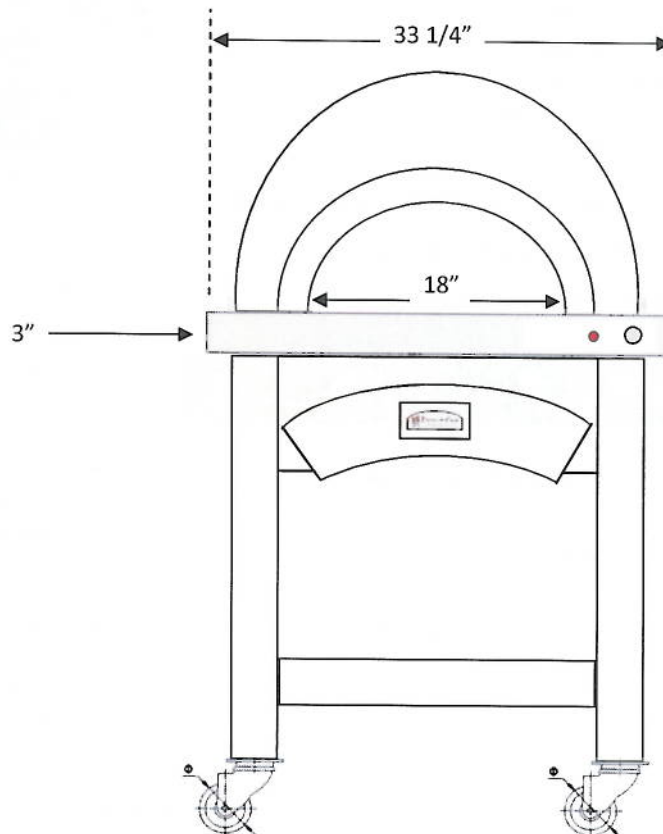


DIMENSIONS

Cooking stone



Note: Oven dome comes in the Terra-Cotta color.





2015 Dealer Price List
Prices Effective: July 1, 2015

Item Number	Description	2nd Description	MSRP	Dealer Price
FPS02EI-TC/BL-NG	TERRA-COTTA/BL TUSCAN SERIES OVEN KIT NG	OVEN, HEARTH, CART, & ACCESSORIES PACK	5999.00	4500.00
FPS02EI-TC/BL-LP	TERRA-COTTA/BL TUSCAN SERIES OVEN KIT LP	OVEN, HEARTH, CART, & ACCESSORIES PACK	5999.00	4500.00
FPS02EI-TC/SS-NG	TERRA-COTTA/SS TUSCAN SERIES OVEN KIT NG	OVEN, HEARTH, CART, & ACCESSORIES PACK	7899.00	5929.00
FPS02EI-TC/SS-LP	TERRA-COTTA/SS TUSCAN SERIES OVEN KIT LP	OVEN, HEARTH, CART, & ACCESSORIES PACK	7899.00	5929.00
FPS04EI-EB/BL-NG	EBONY/BL TORINO SIGNATURE SERIES OVEN KIT NG	OVEN, HEARTH, CART, & ACCESSORIES PACK	7340.00	5500.00
FPS04EI-EB/BL-LP	EBONY/BL TORINO SIGNATURE SERIES OVEN KIT LP	OVEN, HEARTH, CART, & ACCESSORIES PACK	7340.00	5500.00
FPS04EI-EB/SS-NG	EBONY/SS TORINO SIGNATURE SERIES OVEN KIT NG	OVEN, HEARTH, CART, & ACCESSORIES PACK	8999.00	6929.00
FPS04EI-EB/SS-LP	EBONY/SS TORINO SIGNATURE SERIES OVEN KIT LP	OVEN, HEARTH, CART, & ACCESSORIES PACK	8999.00	6929.00
FPS30EI-BI/BL-NG	DI NAPOLI SERIES OVEN KIT BUILT-IN NG	ONE PIECE OVEN & ACCESSORIES PACK	6199.00	4714.00
FPS30EI-BI/BL-LP	DI NAPOLI SERIES OVEN KIT BUILT-IN LP	ONE PIECE OVEN & ACCESSORIES PACK	6199.00	4714.00
C-901	COVER - CART		250.00	188.00
C-902	COVER - BUILT-IN OVEN		157.00	117.00
D-301	DOOR-BL		249.00	179.00
D-302	DOOR-SS		629.00	467.00
UH-701	UTENSIL HOLDER SS		93.00	69.00
V-401	VENT-BL		335.00	251.00
V-402	VENT-SS		335.00	251.00
FPA-04	GRILL RACK	14 IN X 14 IN X 4 IN HEAVY DUTY CAST IRON	70.00	47.00
FPA-08	COVER-INSULATING		429.00	289.00
FPA-11	WOODEN PEEL		34.00	21.00
FPA-12	ALUMINUM PLATES(3)	HEAVY GAUGE 12 IN DIAMETER	16.50	10.00
FPA-13	ALUMINUM PEEL		39.00	23.00
FPA-14	OVEN BRUSH		29.00	21.00
FPA-15	DOUGH ROLLING SHEETS		11.00	8.00

