

PerfectCool Bottom Mount Refrigerator
KFNS 37692 iDE



PerfectCool Bottom Mount Refrigerator

KFNS 37692 iDE



Features:

- NEW: Miele PerfectCool Series
- FlexiLight - Shelf mounted LED lighting
- Right hinged, convertible
- Soft Close Door
- DynaCool
- Dishwasher Safe door shelves
- Easy Sensor Controls
- Plumbed Ice Maker
- PerfectFresh Pro
- Bottle Fins
- Sabbath Mode

SPECIFICATIONS

KFNS 37692 iDE — Item 38376921USA

Overall Unit Width 22" (559mm)

Overall Unit Height 69¹¹/₁₆" (1770mm)

Overall Unit Depth 21¹/₂" (545mm)

Niche

Cabinet Opening Width 22¹/₁₆" — 22³/₈" (560 - 568mm)

Cabinet Opening Height 69³/₄" — 70³/₈" (1772 - 1788mm)

Minimum Cabinet Opening Depth 21⁵/₈" (550mm)

Plumbing

Water Supply Requirements
Connect to a cold water supply only. Must be connected to a shut-off valve with a 3/4" GHT. The water shut-off valve must be accessible after installation. The water pressure must be between 21.76 psi (1.5 bar) and may not exceed 87.02 psi (6 bar). If the pressure is higher than 87.02 psi (6 bar), a pressure reducing valve must be installed.

Water Connection Line
The supplied hose has a length of 4' 11" (1.5m). The hose must not be shortened. Extension hose is not permitted.

Electrical

Electrical Requirements - Volts/Amps
110V / 120V, 60Hz, 15 Amps (single)
110V / 120V , 60Hz, 20Amp (side-by-side) -
When used in conjunction with second unit.

Power Cord - Plug and length
Yes - NEMA 5-15 plug, 6' 10¹¹/₁₆"

Custom Panel

**Please refer to the manual, section
Installing the appliance for further details.**

Maximum Panel Weight
Top Panel - 44lbs (20kg)
Bottom Panel - 26lbs (12kg)

Maximum Panel Thickness
3/4" (19mm)

Minimum Panel Thickness
5/8" (16mm)

Shipping

Shipping Weight
192.7 lbs (87.4 kg)

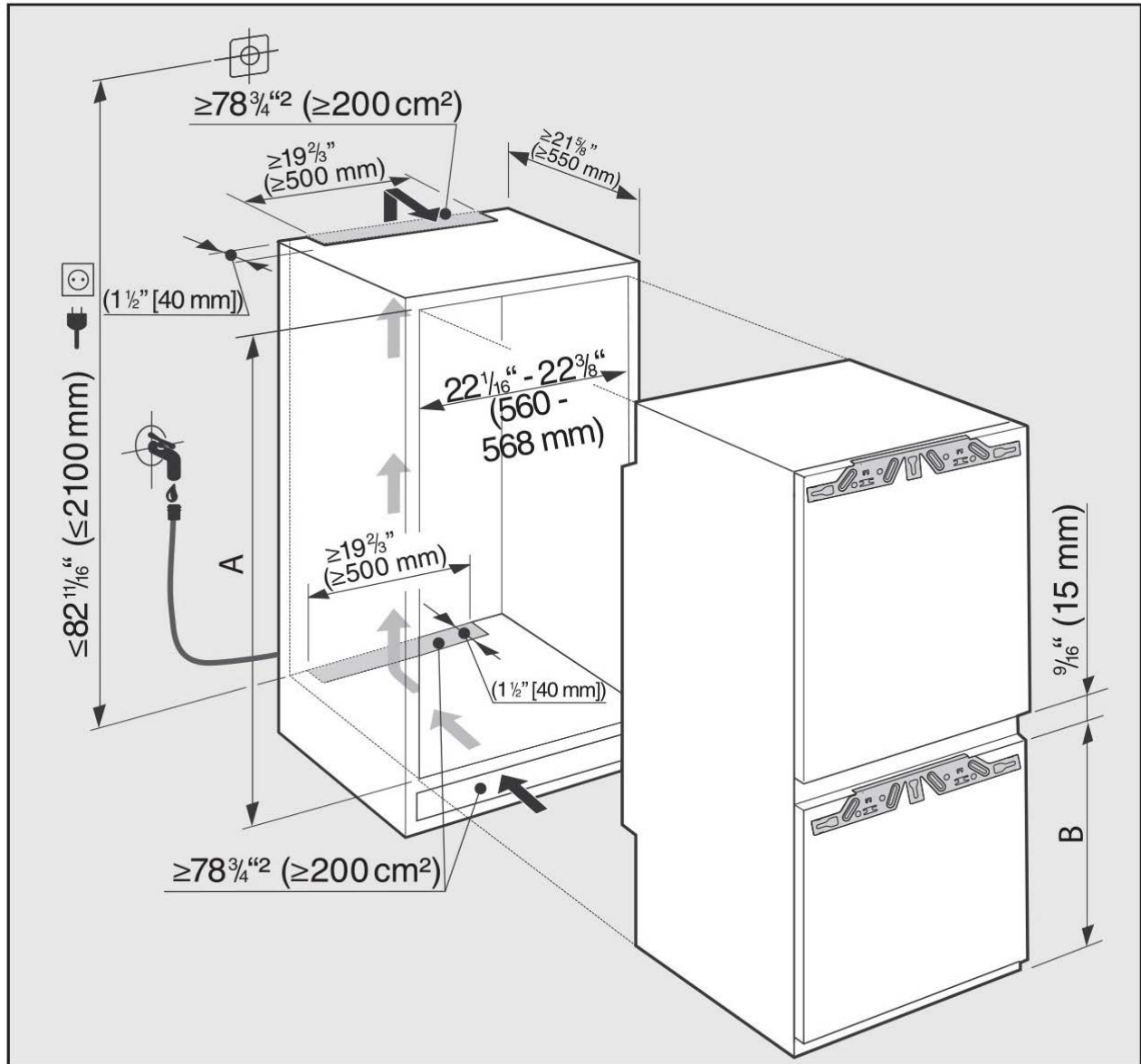
Support

Call Miele
800.843.7231

Miele Website
www.mieleusa.com

20/20 Link
2020technologies.com

Installation Dimension

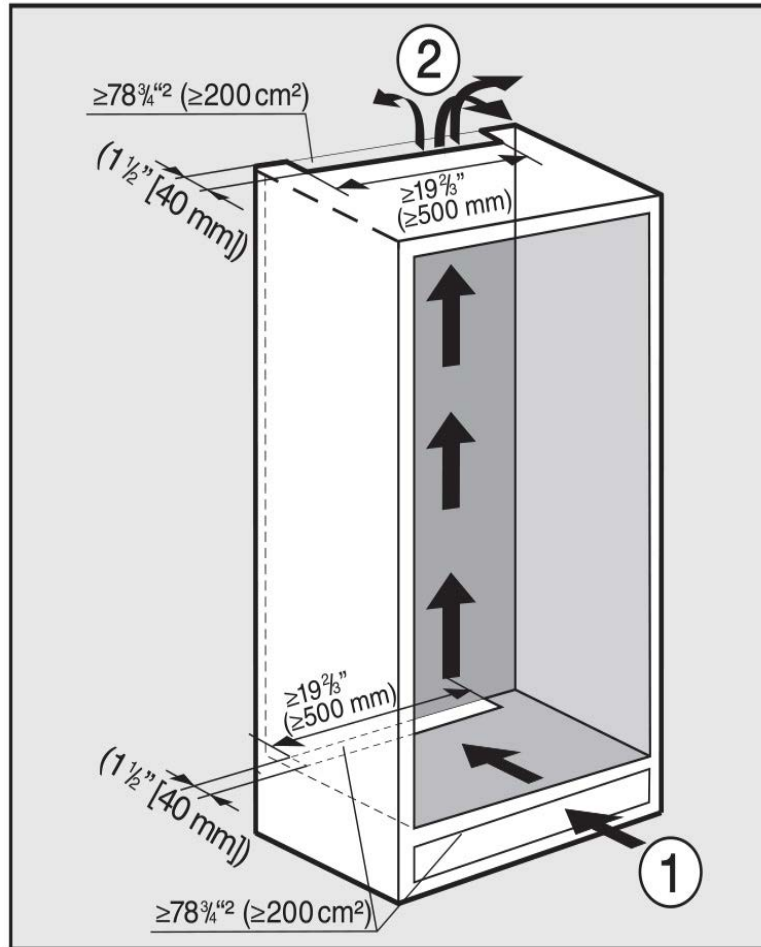


	Niche height [mm] A	Freezer section [mm] B
KFNS 37692 iDE	69 3/4" - 70 3/8" (1772 - 1788 mm)	27 3/8" (695 mm)

Before installation, ensure the building-in niche is the correct size. The specified ventilation cross-sections must be adhered to in order to ensure the correct functioning of the appliance.

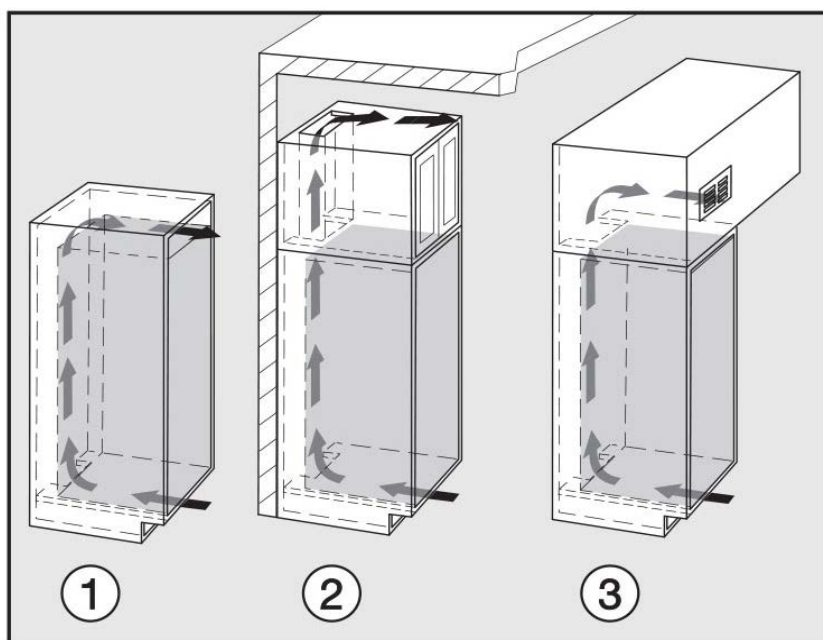
For additional information on Plumbing, please refer to the Plumbing section in the Install Manual.

Ventilation Dimension



- Air intake ① occurs via the plinth at the bottom of the appliance and the air escapes at the top ② at the rear of the housing unit.
- A ventilation gap of at least 1 5/8" (40 mm) depth must be provided behind the appliance for air to circulate.

Ventilation Grille Options



- ① directly above the appliance with a ventilation grille (free airflow of at least $78 \frac{3}{4}''^2$).
- ② in between the housing unit and the ceiling
- ③ through a suspended ceiling.