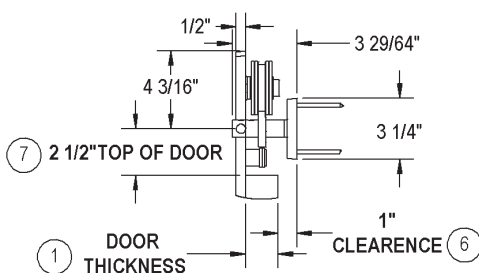
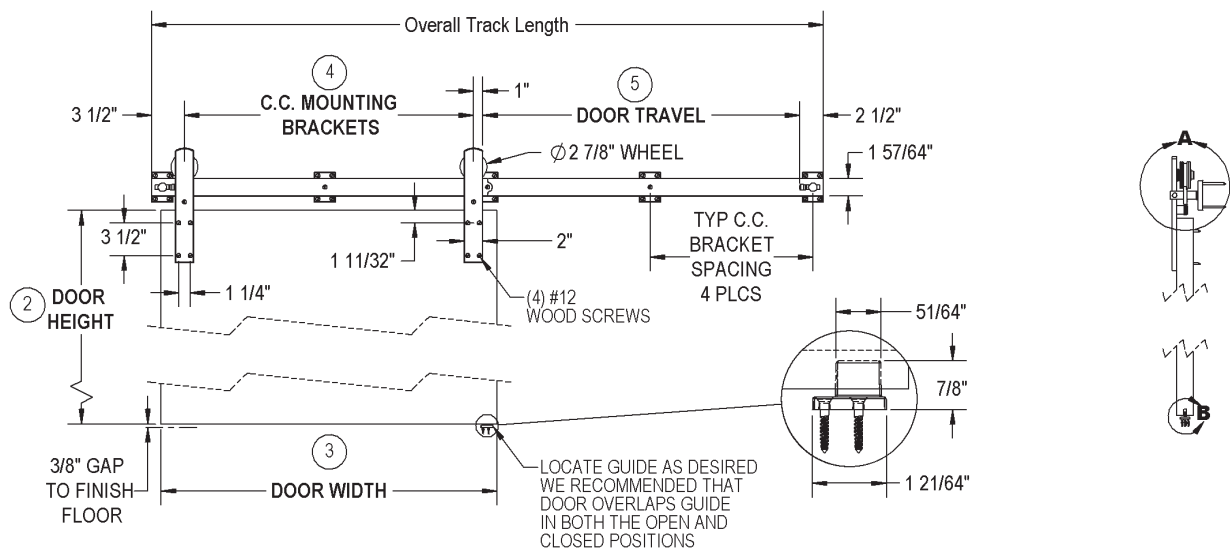


## Single Barn Door Track Required Information

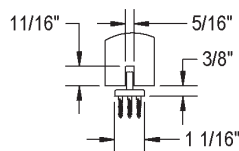
- Proper header must be installed for full length of track.
- We recommend a flush pull on interior side of door. If an interior grip is desired verify adequate clearance in open position.
- Tracks longer than 102" are available on a custom basis. Up charges apply.

Provide the following information in order to receive a customized drawing for client final approval.

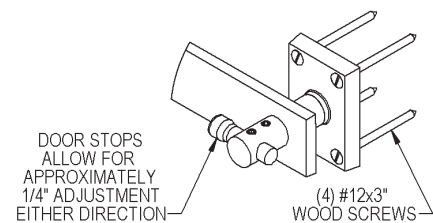
1. Door Thickness \_\_\_\_\_
2. Door Height \_\_\_\_\_
3. Door Width \_\_\_\_\_
4. C to C distance of mounting brackets (typically centered on door style) \_\_\_\_\_
5. Door travel (max. travel should be 1" less than door width to ensure door does not come off guide) \_\_\_\_\_
6. Clearance between door and mounting surface (see Detail A, 1" unless otherwise specified) \_\_\_\_\_
7. Center line of mounting brackets to top of door (See Detail A, 2 1/2" unless otherwise specified) \_\_\_\_\_



DETAIL A



DETAIL B



DETAIL C