

ContourLine Plumbed  
Combi-Steam Oven

DGC 6705 XL



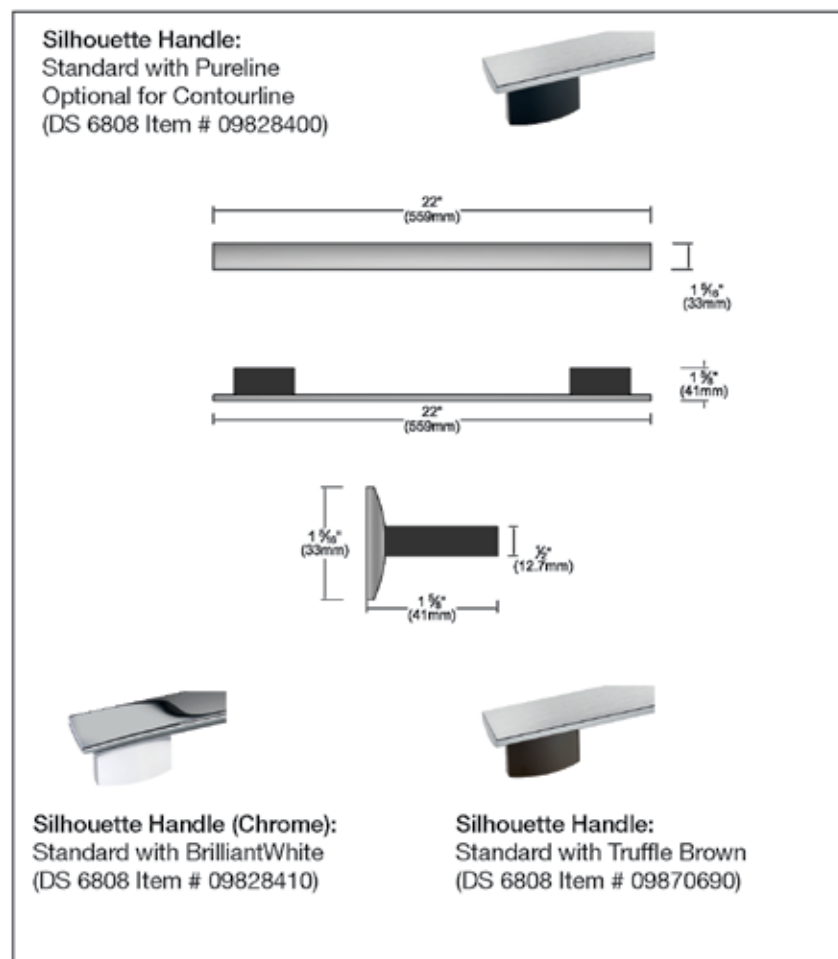
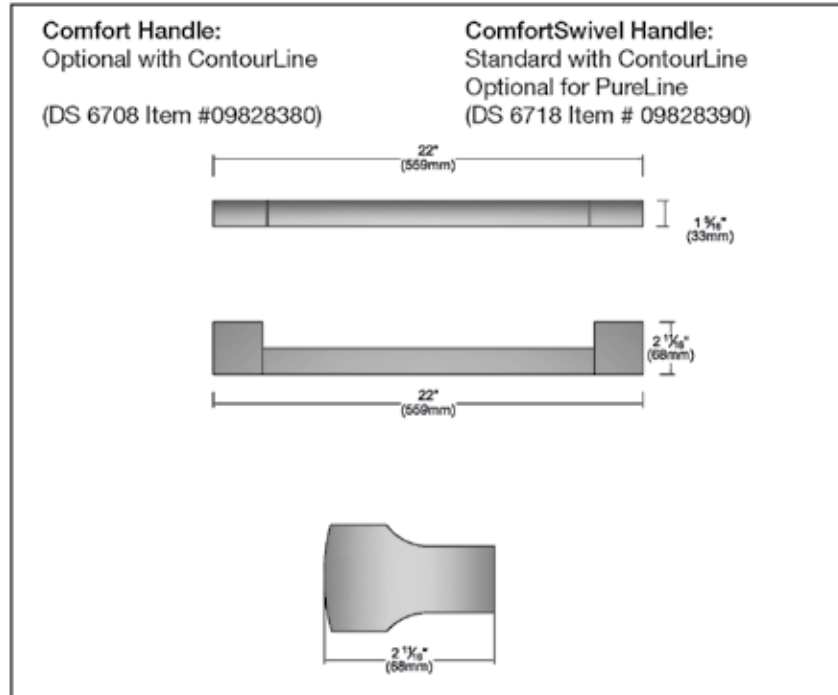
# ContourLine Plumbed Combi-Steam Oven DGC 6705 XL



## DGC 6705 XL

### Features:

- M Touch innovative and revolutionary controls are both easy-to-operate and navigate. An intuitive swipe of the screen will quickly lead you to your desired selection
- MultiSteam technology delivers powerful steam generation and optimum steam distribution via 6 inlet ports
- Plumbed water supply and drainage
- Wired roast probe for perfect roasting
- 3-in-1 appliance
  - True European convection oven
  - Steam oven
  - Combination of steam and convection oven
- MasterChef and MasterChef Gourmet menus offer over 150 food types to cook to perfection
- XL stainless steel cavity
- Lift up control panel conceals water and condensate container (both containers are dishwasher-safe)
- ComfortSwivel handle moves with the motion of your wrist, creating a more ergonomic feel when opening and closing the oven door



# ContourLine Plumbed Combi-Steam Oven DGC 6705 XL



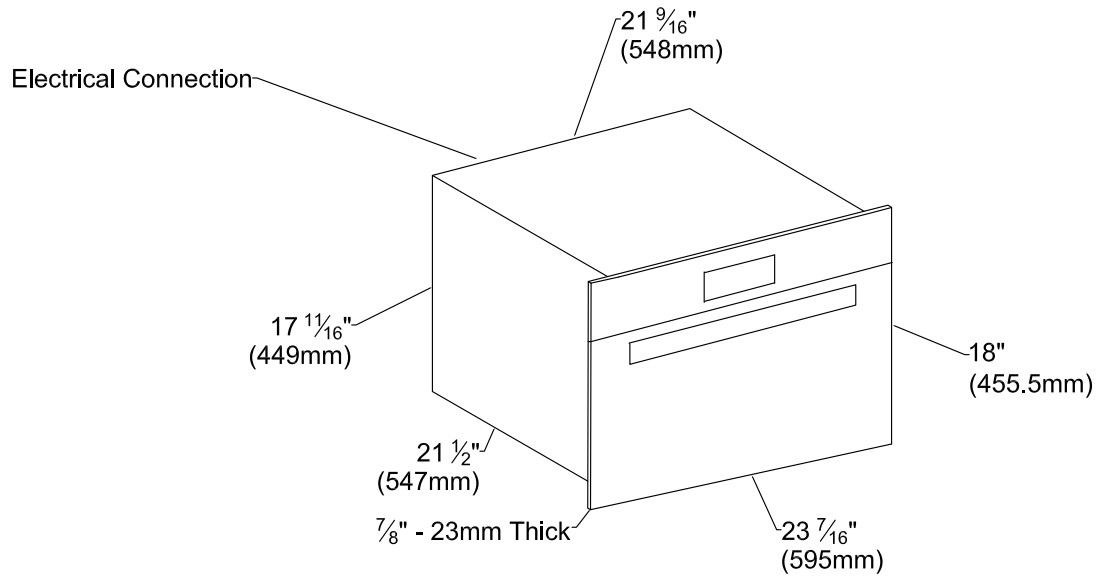
SPECIFICATIONS	
<b>DGC 6705 XL — Item 23670552USA</b>	
Overall Unit Width - Excluding Fascia Dimension	21 <sup>9</sup> / <sub>16</sub> " (548mm)
Overall Height - Excluding Fascia Dimension	17 <sup>11</sup> / <sub>16</sub> " (449mm)
Overall Unit Depth - Excluding Fascia Dimension	21 <sup>5</sup> / <sub>8</sub> " (550mm)
Oven Door Clearance	13" (330mm)
Depth with door open	34 <sup>11</sup> / <sub>16</sub> " (898mm)
Overall Fascia Dimensions	23 <sup>7</sup> / <sub>16</sub> " (595mm) W x 18" (455.5mm) H x 7 <sup>7</sup> / <sub>8</sub> " (22mm) D
Built-In	
Minimum Cabinet Width	22 <sup>1</sup> / <sub>16</sub> " — 22 <sup>3</sup> / <sub>8</sub> " (560 - 568mm)
Minimum Cabinet Depth	21 <sup>7</sup> / <sub>8</sub> " (555mm)
Minimum Cabinet Opening Height	17 <sup>11</sup> / <sub>16</sub> " — 17 <sup>13</sup> / <sub>16</sub> " (450 — 452mm)
Minimum Base Support	60 lbs
Additional Cut-outs Required	Venting and plumbing cut-out required 19 <sup>11</sup> / <sub>16</sub> " x 1 <sup>9</sup> / <sub>16</sub> " (500 x 40 mm)
Plumbing	
Water Supply Requirements	Connect to a cold water supply only. Must be connected to a shut-off valve. The water shut-off valve must be accessible after installation. The water pressure must be between 14.5 psi (1 bar) and may not exceed 87.02 psi (6 bar). If the pressure is higher than 87.02 psi (6 bar), a pressure reducing valve must be installed. The supplied hose has a length of 59" (1500mm). The hose must not be shortened. The entire hose length must not exceed 24'7" (7.5m).
Drainage Requirements	Drain hose loop may be positioned at or above the flood level of the sink or drain board to which it is connect to provide the proper air gap. The top of end the drain hose must not be higher than 19 <sup>11</sup> / <sub>16</sub> " (500mm) to where it connects to the drain trap. The drain hose must not be shortened. The entire hose length must not exceed 24'7" (7.5m). See installation manual for additional information.
Electrical	
Electrical Requirements	240V 60Hz 20A
Power Cord	Molded plug - NEMA 6-20, 240V power cord
Cut out for power cord	Minimum 3" square
Electrical Rating	2.7kW (240V)
Total Amps	11.25A on 240V
Shipping	
Shipping Weight	65 lbs
Shipping Dimensions	26 <sup>7</sup> / <sub>32</sub> " (666mm) W x 21 <sup>5</sup> / <sub>8</sub> "(549mm) H x 23 <sup>1</sup> / <sub>16</sub> " (535mm) L
Support	
Call	800.843.7231
20/20	©2020technologies.com

# ContourLine Plumbed Combi-Steam Oven DGC 6705 XL

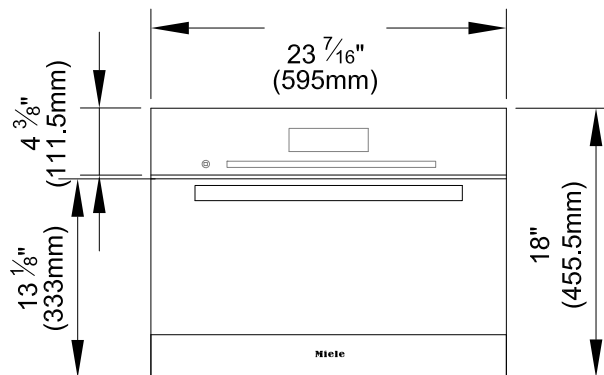


## PRODUCT VIEWS

### Isometric View



### Front View

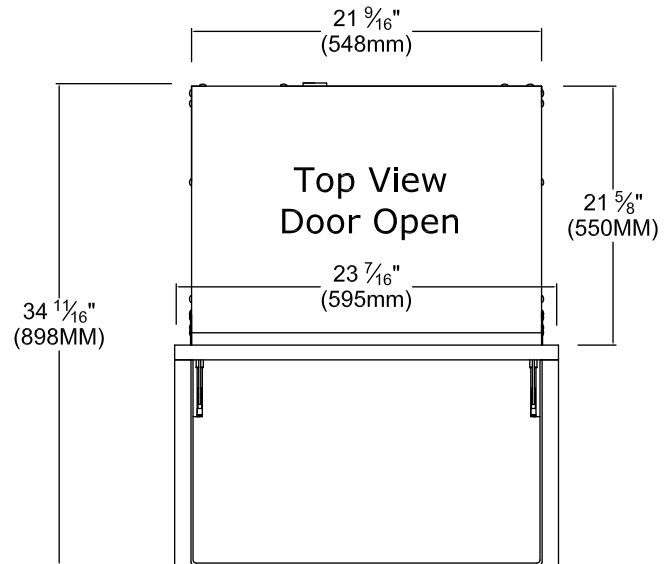


# ContourLine Plumbed Combi-Steam Oven DGC 6705 XL

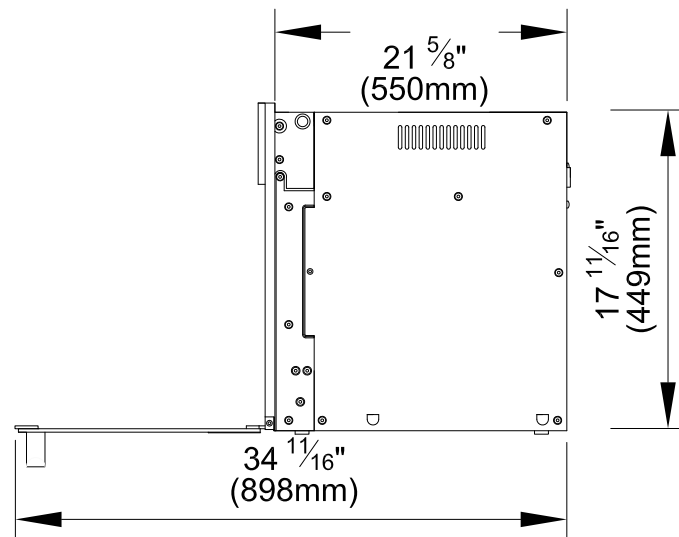


## PRODUCT VIEWS

Top View, Door Open

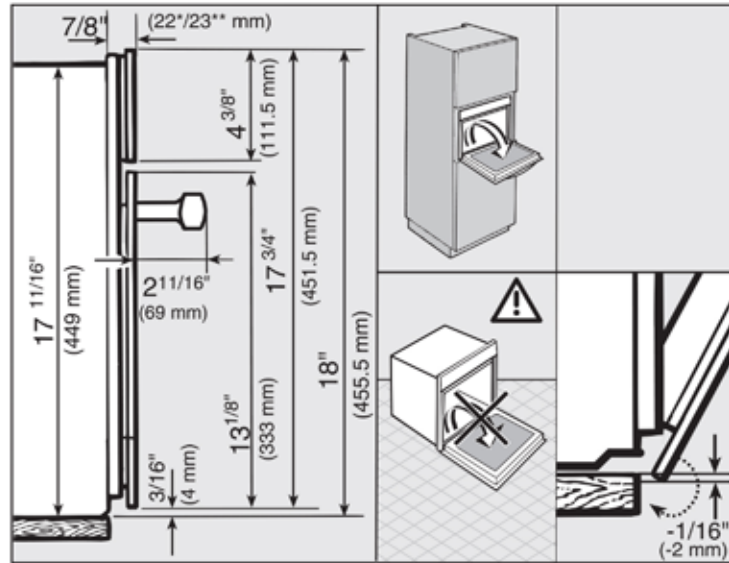


Side View

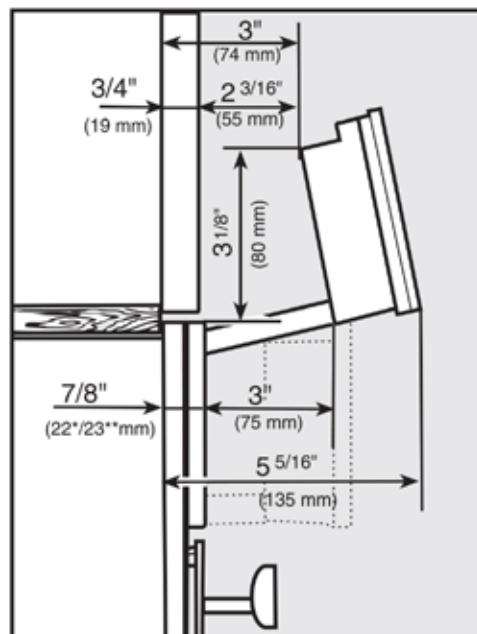


## INSTALLATION SPECIFICATIONS

### Front Dimension Details



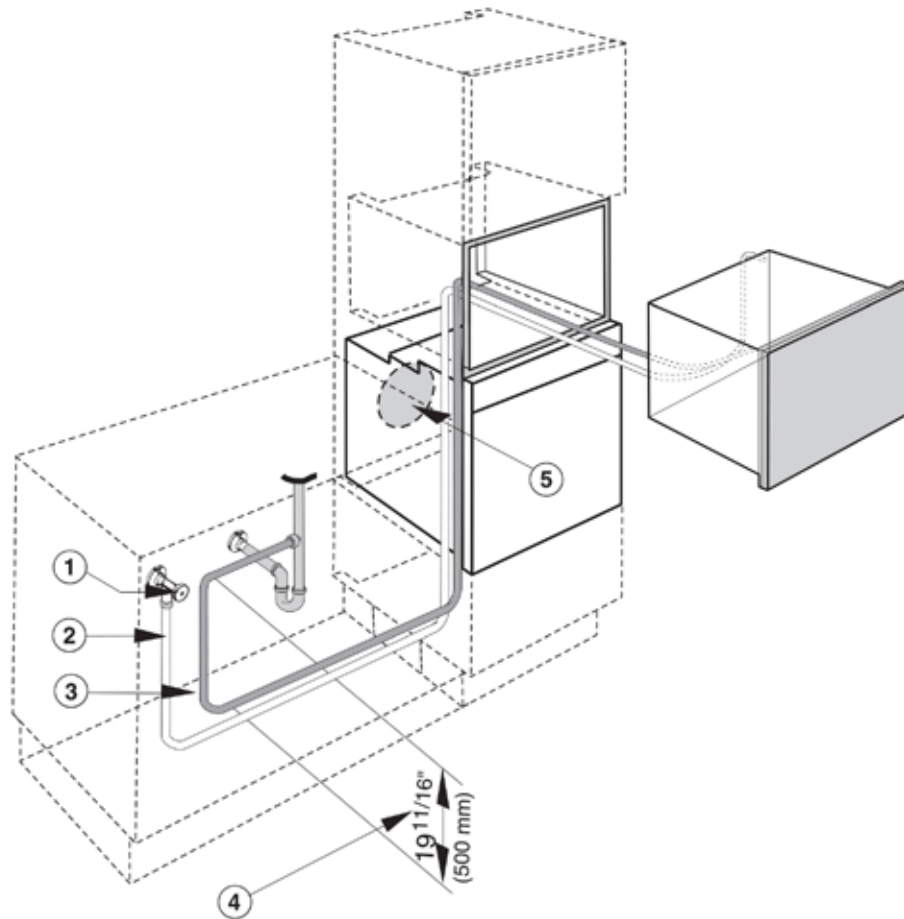
### Control Panel Swivel Range



The area in front of the control panel must not be blocked by anything (such as a door handle) this would hinder the control panel from opening and closing.

## INSTALLATION SPECIFICATIONS

### Water Intake / Drain Conn



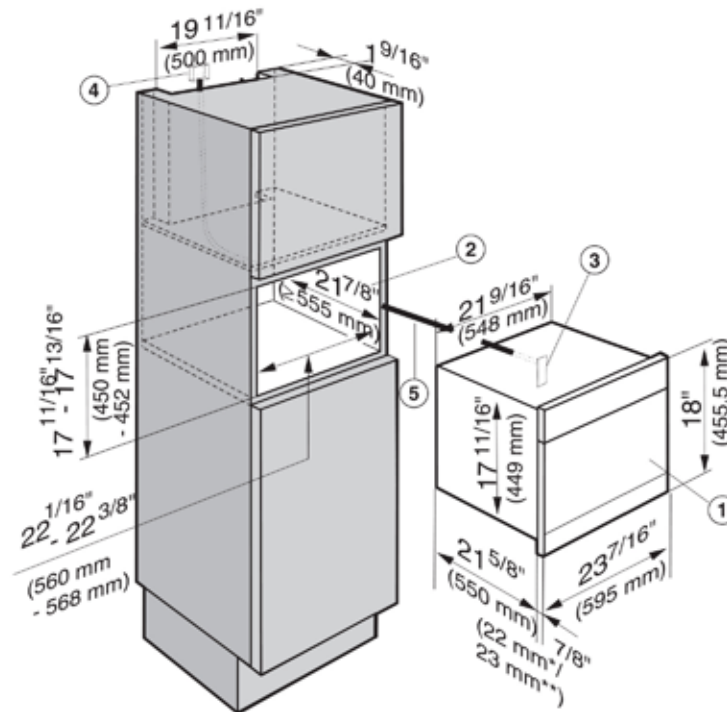
- ① Water supply valve
- ② Water intake hose, L = 59" (1500 mm)
- ③ Drain hose, L = 118" (3000 mm)
- ④ The ascending end of the drain hose to the inlet of the drain trap must not be higher than 19 11/16" (500 mm)
- ⑤ Warning! When installing with an oven the water intake hose and drain hose must not become trapped behind its opening ⑤.

# ContourLine Plumbed Combi-Steam Oven DGC 6705 XL



## INSTALLATION SPECIFICATIONS

### Wall Cabinet Installation



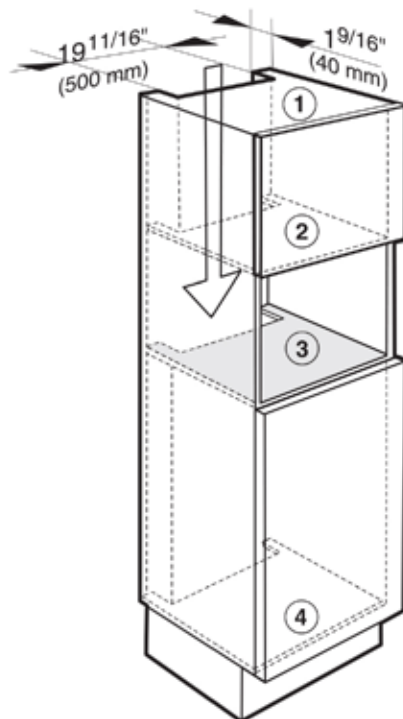
- ① Combi Steam Oven
- ② Installation niche
- ③ Power supply to the appliance
- ④ Recommended location for electrical connection
- ⑤ Power cord

\* Appliances with glass front

\*\* Appliances with metal front

## INSTALLATION SPECIFICATIONS

Wall Cabinet Installation —  
Cut-outs for venting the appliance and  
routing of the water hoses



To route the water hoses and to ensure that the Combi Steam Oven has adequate ventilation, the following cut-outs measuring 19 11/16" x 1 9/16" (500 x 40 mm) must be made:

- ① in the top of the cabinet (ventilation)
- ② in the center shelf above the installation niche (ventilation)
- ③ in the appliance support base (water hoses)
- ④ in the bottom of the cabinet (water hoses)

The cabinet housing must not have a back panel fitted behind the installation niche.

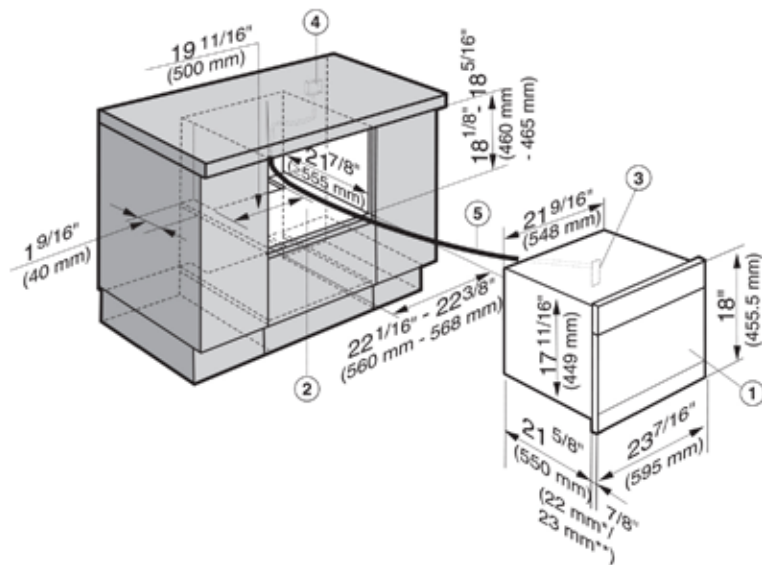
# ContourLine Plumbed Combi-Steam Oven DGC 6705 XL



## INSTALLATION SPECIFICATIONS

### Under Counter Installation

If the appliance is to be installed under a cooktop, observe the instructions for installation of the cooktop and its installation height.



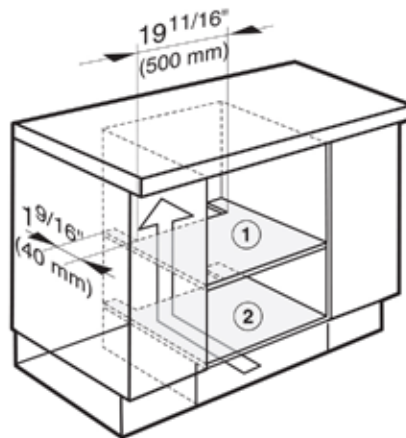
- ① Combi Steam Oven
- ② Installation niche
- ③ Power supply to the appliance
- ④ Recommended location for electrical connection
- ⑤ Power cord

\* Appliances with glass front

\*\* Appliances with metal front

## INSTALLATION SPECIFICATIONS

Under Counter Installation —  
cut-outs for venting the appliance  
and routing of the water hoses



To route the water hoses and to ensure that the Combi Steam Oven has adequate ventilation, the following cut-outs measuring 19 11/16" x 1 9/16" (500 x 40 mm) must be made:

- ① in the appliance support base
- ② in the bottom of the cabinet space below

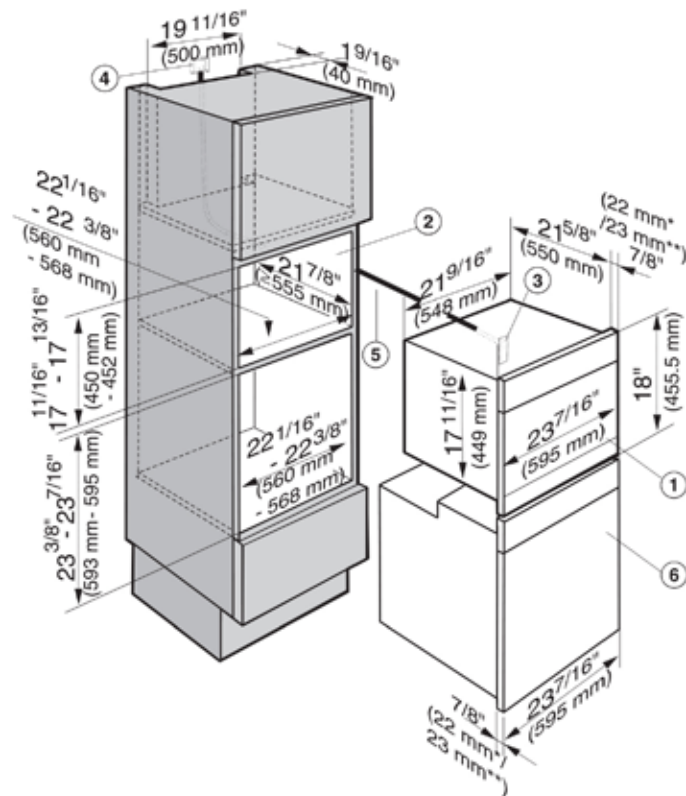
The cabinet housing must not have a back panel fitted behind the installation niche.

# ContourLine Plumbed Combi-Steam Oven DGC 6705 XL



## INSTALLATION SPECIFICATIONS

Installation in Combination with an Oven



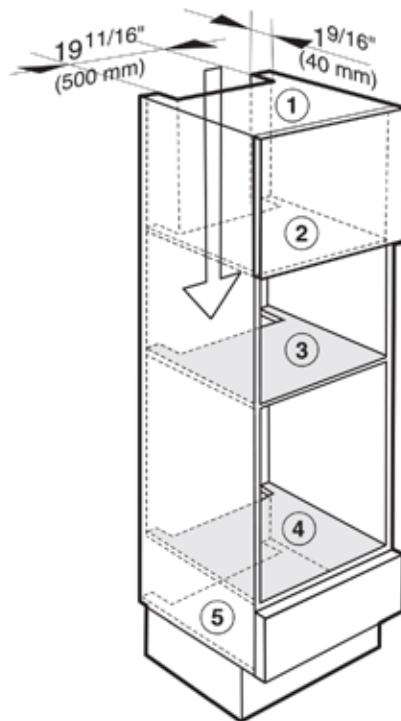
- ① Combi Steam Oven
- ② Installation niche
- ③ Power supply to the appliance
- ④ Recommended location for electrical connection
- ⑤ Power cord
- ⑥ Oven

\* Appliances with glass front

\*\* Appliances with metal front

## INSTALLATION SPECIFICATIONS

Installation in Combination with an Oven  
– cut-outs for venting the appliances and  
routing of the water hoses



To route the water hoses and to ensure that the Combi Steam Oven has adequate ventilation, the following cut-outs measuring 19 11/16" x 1 9/16" (500 x 40 mm) must be made:

- ① in the top of the cabinet (ventilation)
- ② in the center shelf above the installation niche (ventilation)
- ③ in the appliance support base (water hoses)
- ④ in the appliance support base of the oven (water hoses)
- ⑤ in the bottom of the cabinet (water hoses)

The cabinet housing must not have a back panel fitted behind the installation niche.

Cut-out for venting the oven:

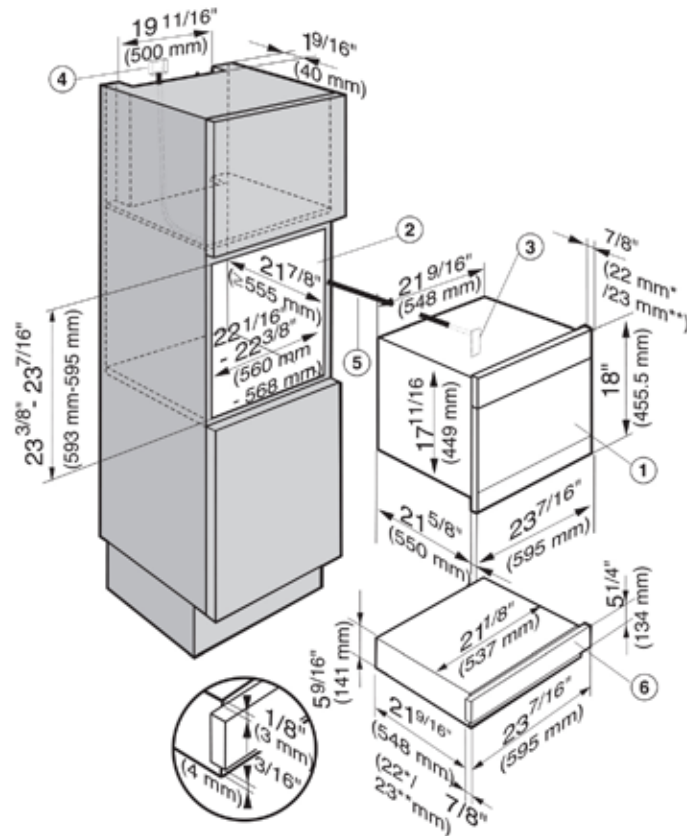
Please refer to the installation instructions for the oven.

# ContourLine Plumbed Combi-Steam Oven DGC 6705 XL



## INSTALLATION SPECIFICATIONS

Installation in Combination with ESW 6X14

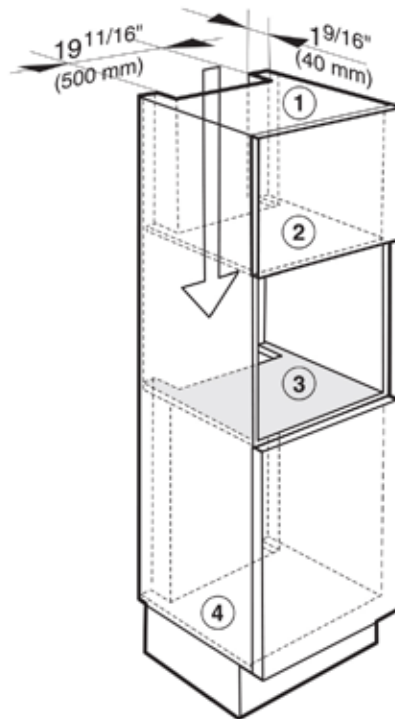


- ① Combi Steam Oven
- ② Installation niche
- ③ Power supply to the appliance
- ④ Recommended location for electrical connection
- ⑤ Power cord
- ⑥ Warming drawer

\* Appliances with glass front  
 \*\* Appliances with metal front

## INSTALLATION SPECIFICATIONS

Installation in Combination with an Oven  
— cut-outs for venting the appliances and  
routing of the water hoses



To route the water hoses and to ensure that the Combi Steam Oven has adequate ventilation, the following cut-outs measuring 19 11/16" x 1 9/16" (500 x 40 mm) must be made:

- ① in the top of the cabinet (ventilation)
- ② in the center shelf above the installation niche (ventilation)
- ③ in the appliance support base (water hoses)
- ④ in the bottom of the cabinet (water hoses)

The cabinet housing must not have a back panel fitted behind the installation niche.