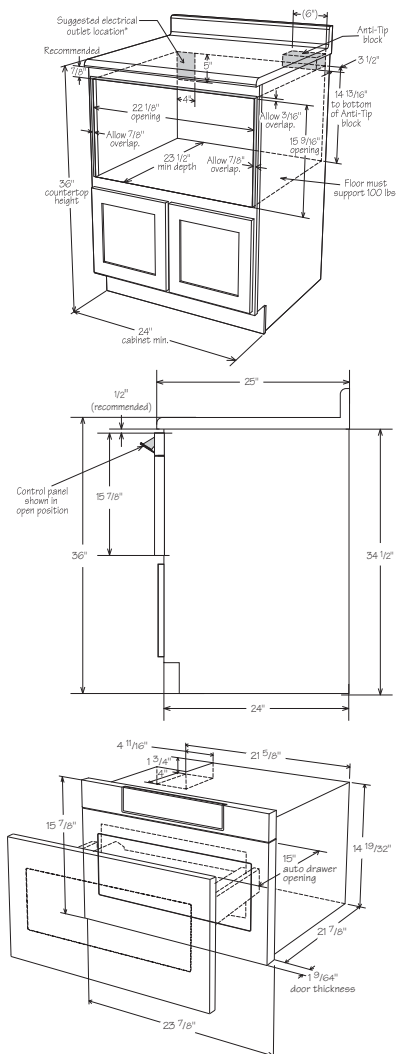




### Installation Guide



Technical Specification	
Model	SMD-2470AS
Size	24" wide
Microwave Capacity	1.2 cu.ft
Microwave Power	1000 watts
Control Panel	Digital LCD Display
Control Type	Hidden Control
Drawer Opening	AutoTouch™ System
Power Level	11
Sensor Cook, Reheat, Popcorn Settings	11
Reheat Auto Settings	2
Defrost Auto Settings	6
Keep Warm Setting	Yes, up to 30 min.
Melt / Soften / Settings	Yes
Beverage Setting	Yes
Programmable Stages	Yes, 4
Digital Clock	Yes
Kitchen Timer	Yes
Child Lock	Yes
+30 sec	Yes
Interior Oven Light	Yes
Demonstration Mode	Yes
Built-in Ready	Yes
Handle	N/A
Available Color	Stainless Steel
UPC	074000619371
Cut-out Dimension	22 1/8" x 15 9/16"
Product Dimension	29 7/8" x 23 1/64" x 15 7/8"
Box Dimension	29.8" w x 27.9" x 21.9"
Net Weight	74 lb.
Gross Weight	85.8 lb.
Safety Compliance	FCC, DHHS, UL
Power / Ratings	120V, 60Hz
Ratings	1.67Kw, 14.5Amps
Warranty	1 year parts & labor with in-home service; 4 additional years for magnetron tube only