

KITCHEN
SYSTEMS

FRANKE



Planar 8 Sink Series

www.frankeusd.com

Stay Connected with
Franke Online:



[frankeluxuryusa](http://frankeluxuryusa.com)

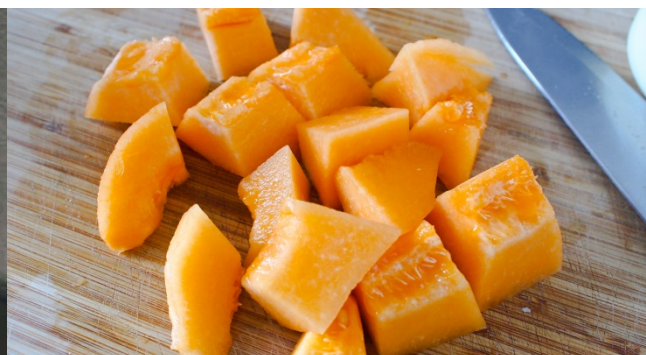
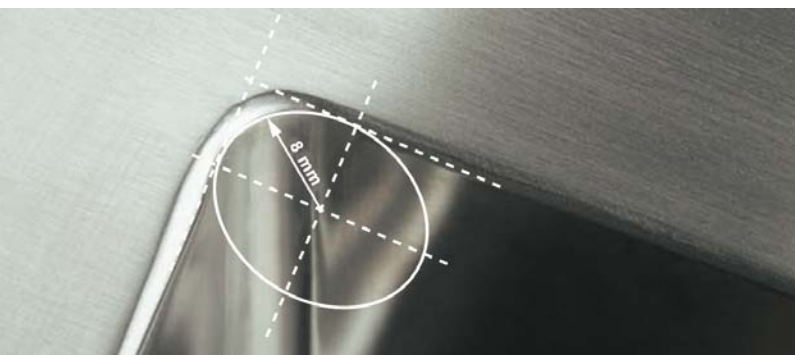


HAND-FABRICATED, ITALIAN-MADE KITCHEN SINKS

NEW PRODUCT INTRODUCTION: PLANAR 8 KITCHEN SINK

Designed and hand-fabricated in Italy, the Planar 8 Kitchen Sink Series is made of smooth, Grade 304 (18 percent chromium, 10 percent nickel), 18-gauge stainless steel, with sound-dampening pads and Franke's silky luster finish. Other key features include

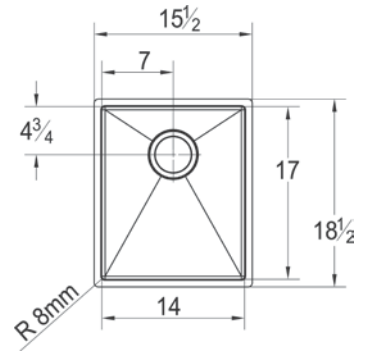
- **Maximized work space:** These undermount sinks measure 17 inches from front to back to enhance countertop work space without compromising sink functionality.
- **Maximized storage space:** The drain is placed in the rear of the unit so that drainage piping does not crowd the space inside the cabinet beneath the sink.
- **Easier cleaning:** Keeping a Planar 8 sink bright and clean is easy given the thoughtful design. Unlike the zero-degree radius corners of other hand-fabricated kitchen sinks, the new Planar 8 is handcrafted with a tight, 8mm radius. That minimally curved corner makes this new product much easier to maintain.
- **Enhanced functionality:** Custom accessories, such as a bottom grid, a cutting board, and a colander are available to create a more productive and enjoyable cooking experience.



PEX110-14



Interior Dimensions: 14" x 17" x 9½"
 Exterior Dimensions: 15½" x 18½"
 Minimum Cabinet Size: 18"



Custom Accessories

Bottom Grid

Colander

Cutting Board



PE-14S

PE-70S

PE-40S

Suggested Kitchen System

Faucet

Waste Disposer

Little Butler

Filtration

Heating Tank

Soap Dispenser



FFP1100

FWD75R

LB9200

FRCNSTR100

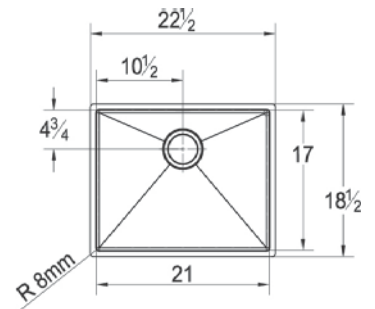
HT-200

SD500

PEX110-21



Interior Dimensions: 21" x 17" x 9½"
 Exterior Dimensions: 22½" x 18½"
 Minimum Cabinet Size: 27"



Custom Accessories

Bottom Grid

Colander

Cutting Board



PE-21S

PE-70S

PE-40S

Suggested Kitchen System

Faucet

Waste Disposer

Little Butler

Filtration

Heating Tank

Soap Dispenser



FF2700

FWD75R

LB7100

FRCNSTR100

HT-200

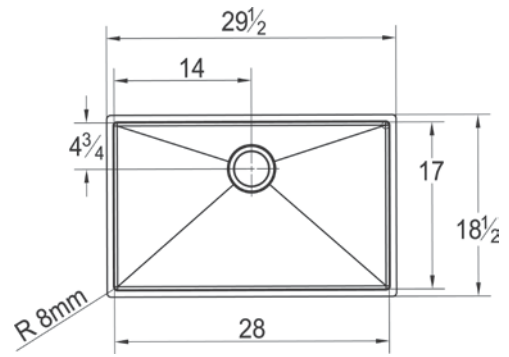
SD2500



PEX110-28



Interior Dimensions: 28" x 17" x 9½"
 Exterior Dimensions: 29½" x 18½"
 Minimum Cabinet Size: 33"



Custom Accessories

Bottom Grid



PE-28S

Colander



PE-70S

Cutting Board



PE-40S

Suggested Kitchen System

Faucet



FF2400R

Waste Disposer



FWD100R

Little Butler



LB5200

Filtration



FRCNSTR100

Heating Tank



HT-200

Soap Dispenser

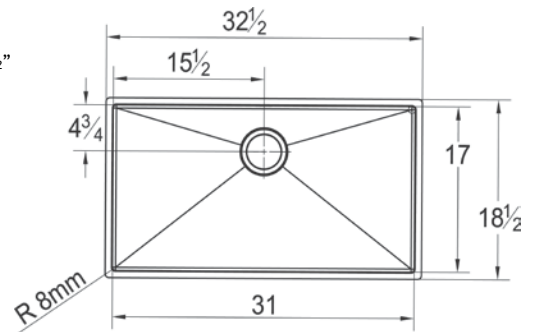


SD2400

PEX110-31



Interior Dimensions: 31" x 17" x 9½"
 Exterior Dimensions: 32½" x 18½"
 Minimum Cabinet Size: 36"



Custom Accessories

Bottom Grid



PE-31S

Colander



PE-70S

Cutting Board



PE-40S

Suggested Kitchen System

Faucet



FF2100

Waste Disposer



FWD100R

Little Butler



LB7200

Filtration



FRCNSTR100

Heating Tank



HT-200

Soap Dispenser



SD2500

Franke Kitchen Systems
 800 Aviation Parkway
 Smyrna, TN 37167
 800-626-5771

www.frankeksd.com