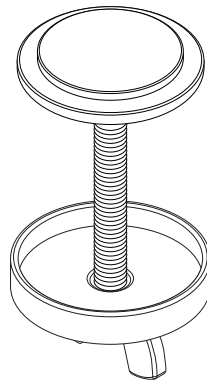
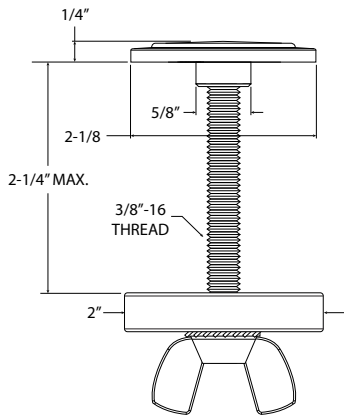


DECORATIVE HOLE COVERS



LIST PRICE:

GROUP 1: \$80.00
 GROUP 2: \$85.00
 S STEEL: \$90.00

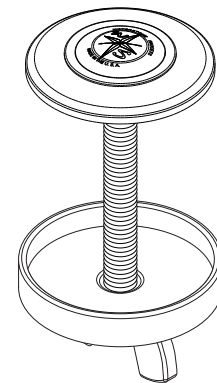
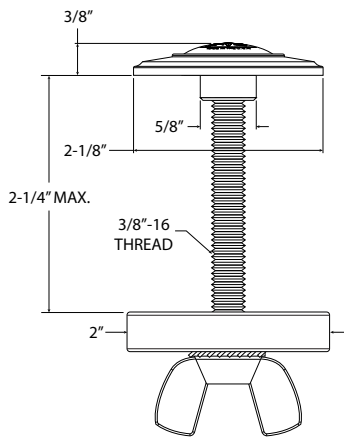
MEETS THE FOLLOWING:

• ASME A112.18.1

ITEM NO:	3080
STYLE:	CONTEMPORARY
INTENDED USE:	HOLE COVER

TECHNICAL SPECIFICATIONS

- Solid brass or stainless steel construction.
- Available in 31 finishes or stainless steel.
- Covers standard 1-3/8" hole.



LIST PRICE:

GROUP 1: \$85.00
 GROUP 2: \$90.00

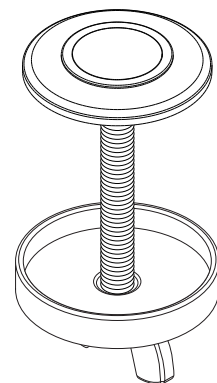
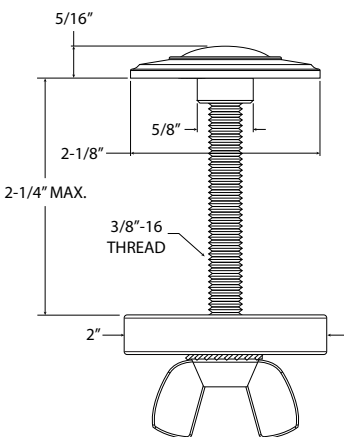
MEETS THE FOLLOWING:

• ASME A112.18.1

ITEM NO:	4070
STYLE:	TRADITIONAL
INTENDED USE:	HOLE COVER - LOGO CAP

TECHNICAL SPECIFICATIONS

- Solid brass construction.
- Available in 31 finishes.
- Ceramic center with logo.
- Covers standard 1-3/8" hole.



LIST PRICE:

GROUP 1: \$80.00
 GROUP 2: \$85.00

MEETS THE FOLLOWING:

• ASME A112.18.1

ITEM NO:	4080
STYLE:	TRADITIONAL
INTENDED USE:	HOLE COVER FINISH CAP

TECHNICAL SPECIFICATIONS

- Solid brass construction.
- Available in 31 finishes.
- Solid center with matching finish.
- Covers standard 1-3/8" hole.

FINISH GROUPINGS

GROUP 1: AB, ABZ, CH, ORB, SC, TB, WB
 GROUP 2: 01, 06, 07, AC, AMB, AP, BLN, CB, CHB, DAB, DAC, DAMB, DAP, EW, MB, PB, PC, PN, SN, VB, WC, WT

PRECIOUS METALS: PG, SG (CALL FOR PRICING)
 STAINLESS STEEL: SS (CONTEMPORARY ONLY)