

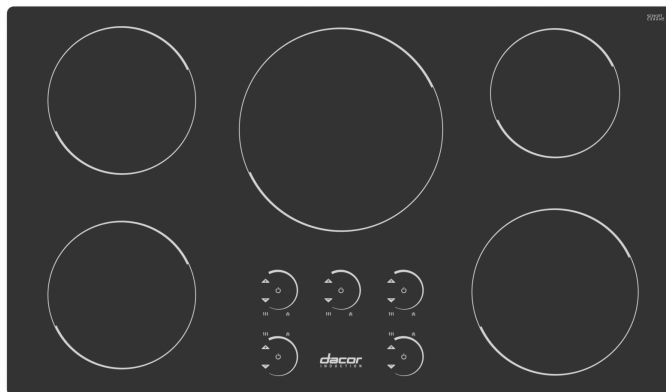
Product Offering

Model No.	Description	Finish	US UMRP
RNCT365B	Renaissance 36" Induction Cooktop	Black Ceramic Glass	\$2,399.00
RNCT304B	Renaissance 30" Induction Cooktop	Black Ceramic Glass	\$1,999.00

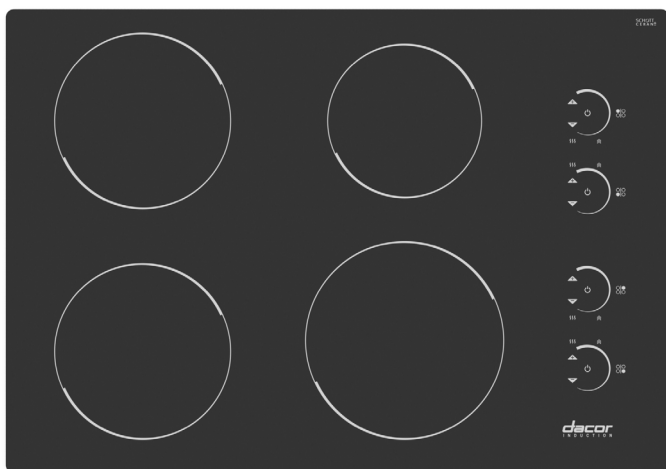
Product Details

- **Induction Cooktop** heats cookware faster and more energy efficiently than gas or radiant cooktops, while keeping the cooktop cooler to the touch.
- **Precise, touch-sensitive electronic controls** with a power setting for every cooking need, from warming and melting chocolate to stir-frying or bringing water to a rapid boil.
- **Intelligent Burner Layout** maximizes convenience in preparation by enabling larger pans to be within easy reach.
- **Power Boost** brings large quantities of food to cooking temperature faster by increasing the induction element power.
- **SenseTech™ Induction Technology** automatically detects the presence and size of your cookware and matches energy transference with no residual heat loss. Turns off automatically within 30 seconds if no pan is detected or if a non-conductive pan is present.
- **Residual Heat Indicator Light** illuminates for safety when the corresponding cooking zone retains residual heat from the cookware. Heat will dissipate rapidly when the pan is removed.
- **Clean and Modern Design** with a Black Ceramic Glass Finish that is easy to clean.
- **Illuminated Controls** provide "at-a-glance" status of the cooktop in an attractive circular series of lights.
- **Burner Configuration (all zones have Power Boost):**
 - **RNCT365B** - Zone Wattage/with Power Boost Wattage
 - Two - 8" Element Zones - 1,850W/2,500W
 - One - 11" Element Zone - 2,400W/3,700W
 - One - 7" Element Zone - 1,400W/1,800W
 - One - 9" Element Zone - 2,300W/3,200W
 - **RNCT304B** - Zone Wattage/with Power Boost Wattage
 - Two - 8" Element Zones - 1,850W/2,500W
 - One - 7" Element Zone - 1,400W/1,800W
 - One - 9" Element Zone - 2,300W/3,200W

Renderings



RNCT365B



RNCT304B

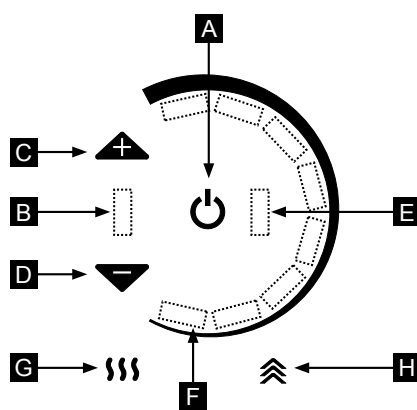
Product Specifications

Electrical Requirements:

240V, 60Hz, 50A - RNCT365B; 240V, 60Hz, 40A - RNCT304B

Control Panel

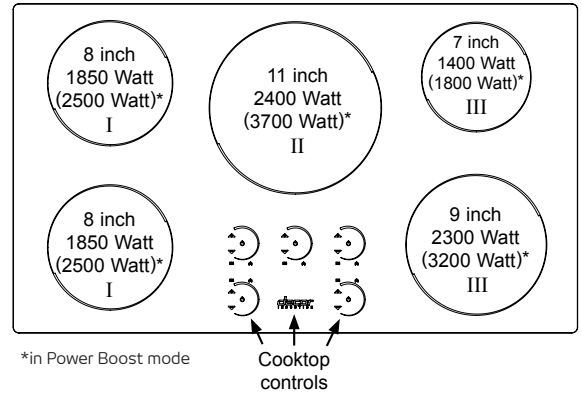
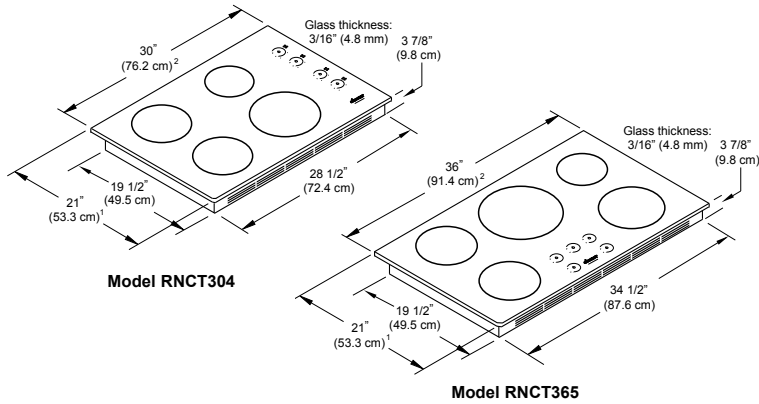
- A ON/OFF** Turns on the corresponding cooking zone.
- B Power Light:** Turns on when the cooking zone is on.
- C Power Level UP (▲) Key:** Touch this key repeatedly to raise the power level.
- D Power Level DOWN (▼) Key:** Touch this key repeatedly to lower the power level.
- E "No Pan Detected" Light:** If a cooking zone is turned on and no pan is detected, this light will come on. Power to the cooking zone shuts off if no pan is detected for 30 seconds.
- F Power Level Indicator Lights:** A series of indicator lights around the circle light up to indicate the current power level (1 to 8).
- G Residual Heat Indicator Light:** Indicates that the corresponding cooking zone is still hot due to heat from hot pots or pans.
- H Power Boost Indicator Light:** This light indicates that power boost is on.



Control Panel Layout - All Models

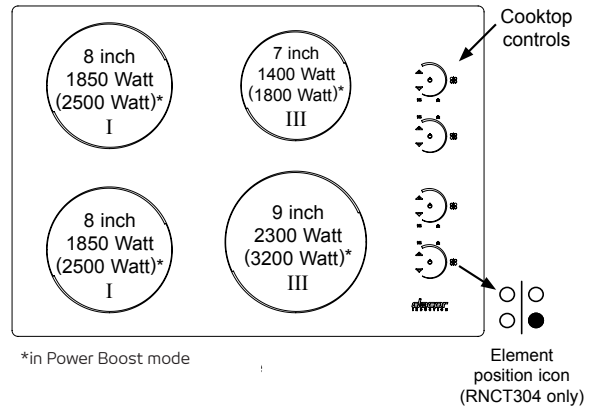
Product Dimensions

All tolerances $\pm 1/16"$ (± 1.6 mm) unless otherwise noted.



RNCT365 Cooktop Layout

I = Group 1 II = Group 2 III = Group 3



RNCT304 Cooktop Layout

NOTE:

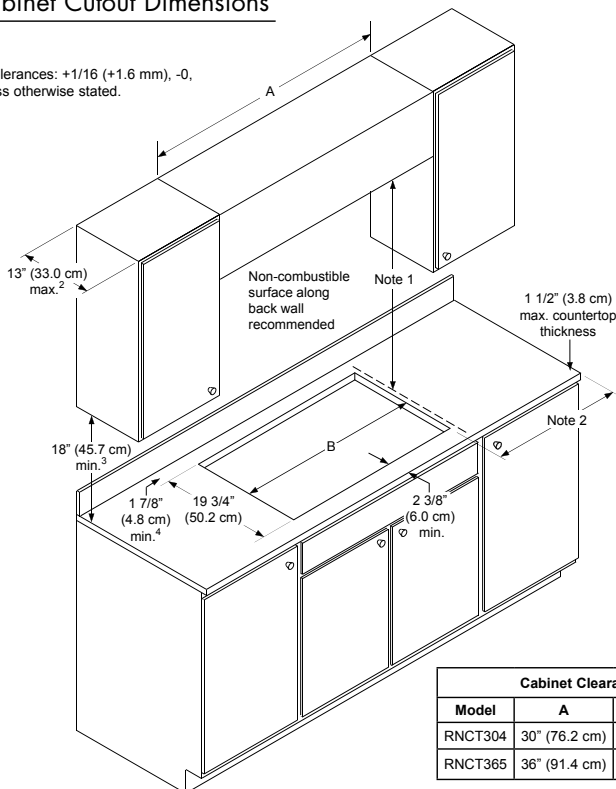
The elements are divided into groups.

- If two zones of the same group are set to the higher power setting, power to both elements will be reduced slightly and cooking times will be slightly longer.
- On higher settings, Dacor recommends using an element from one group and an element from another group.

¹Cooking surface overhangs chassis 13/16" (2.1 cm) in front and back.
²Cooking surface overhangs chassis 13/16" (2.1 cm) on both sides.

Cabinet Cutout Dimensions

All tolerances: $+1/16$ (+1.6 mm), -0 , unless otherwise stated.



¹ 30 inches minimum clearance between the top of the cooking surface and the bottom of an unprotected wood or metal cabinet or A = 24 inches minimum when the bottom of wood or metal cabinet is protected by not less than 1/4 inch thick flame retardant material covered with not less than #28 gage sheet steel, .015 inch thick stainless steel, .024 inch thick aluminum, or .020 inch thick copper.

² Distance to combustible side wall (both sides): RNCT304 - 3" (7.6 cm) min. from edge of cutout, 2" (5.1 cm) min. from edge of cooking surface, RNCT365 - 2 3/4" (7.0 cm) min. from edge of cutout, 2" (5.1 cm) from edge of cooking surface.

³ This specification not applicable for cabinets more than a horizontal distance of 2" (5.1 cm) min. from edge of cooktop, when installed.

⁴ This specification does not apply at horizontal distances more than 2" (5.1 cm) from side edge of cooktop, when installed.