

# DISCOVER THE POSSIBILITIES

# PRODUCT BULLETIN

ZEPHYR

October 03, 2012  
2012-07

TO: **Zephyr Distribution**  
FROM: **Jeremy Snider**  
SUBJECT: Introduction of Zephyr's Universal Make-Up Air Damper

We are excited to introduce Zephyr's first universal make-up air damper kit. With the advent of tighter-sealed homes being built a new challenge has risen with negative air pressure. Negative air pressure is created when you exhaust too much air out of your home and are unable to replenish that air with fresh outside air. Failure to replenish the air being exhausted may interfere with the proper operation of combustion equipment such as a fireplace or gas water heater and can impact range hood performance. Because of this, many local codes now require a make-up air damper to be paired with a range hood to help prevent negative pressure conditions within the home.

The Zephyr MUA series make-up air damper can be connected to any range hood that operates over 300 CFM. While the range hood is operating a pressure switch located in the hood ducting will send a signal to the motorized damper (typically located in the basement or attic) to open and allow fresh air into the home. Allowing fresh air into the home only while the range hood is operating will help balance the air pressure and prevent increased utility bills. When the hood is turned off the damper will automatically close.



Zephyr's make-up air damper is available in two models, MUA006A for range hood blowers generating up to 600 CFM and MUA008A for up to 1000 CFM. If your range hood generates over 1,000 CFM and up to 1,500 CFM you can gang two dampers together which allows more airflow to enter the home. For more details please see the attached specification sheet or installation manual.

## PRODUCT AVAILABILITY

- Available now

## PRODUCT DETAILS

- MUA006A
  - 6" round damper, for hoods up to 600 CFM
- MUA008A
  - 8" round damper, for hoods up to 1,000 CFM
- MUA008A + 54060013
  - Two 8" round dampers for hoods up to 1,500 CFM
- 24 VAC, 60Hz damper motor (*transformer included with damper*)
- Warranty: 1 year parts, 1 year labor

## FEATURES & ACCESSORIES

- Damper automatically opens when hood is operating and closes when the hood is turned off
- Meets international residential code M1503.4
- 24-gauge galvanized steel construction
- Ability to gang multiple dampers together to accommodate higher CFM range hoods up to 1,500 CFM
- Fresh Air Inlet Caps with Screen (*to allow fresh air into the home*)
- Additional Motorized Damper (*for ganged connection*)

## PRODUCT LITERATURE AND INTERNET

- Specification sheet available
- Installation manual available
- Our website will be updated soon

## PRICE SHEETS

- Pricing available from your local Zephyr representative

## ATTACHMENTS TO THIS BULLETIN

- Specification sheet

Thank you!

# UNIVERSAL MAKE-UP AIR DAMPER

When range hoods exhaust air out of your home, negative air pressure is created unless the exhausted air is replaced by fresh outdoor air. Zephyr's Universal Make-Up Air Damper is designed to balance the air pressure in your home by automatically opening to allow fresh air in while the range hood is operating.

For use with any Zephyr hood operating over 300 CFM.

MODEL	DAMPER SIZE	CFM LEVEL <i>of range hood motor</i>
MUA006A	6" round	up to 600 CFM
MUA008A	8" round	up to 1000 CFM
MUA008A + 54060013*	8" round x 2	up to 1500 CFM*

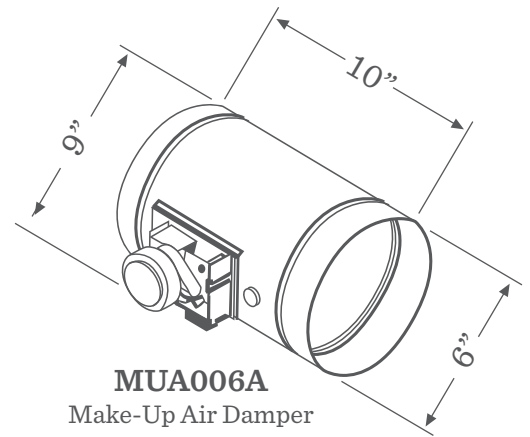
\*For range hoods over 1,000 CFM an additional damper may be needed. We suggest purchasing MUA008A and ganging it together with part# 54060013. Please check local codes or speak with a qualified HVAC contractor for more information.

## FEATURES

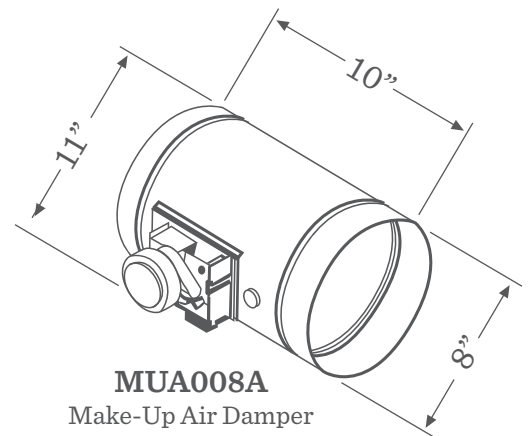
- 24 VAC, 60 Hz AC motor
- Meets International Residential Code M1503.4
- Automatically opens when range hood is operating
- Automatically closes when range hood is off
- 24-gauge galvanized steel construction
- Adjustment screw to adjust damper opening

## OPTIONAL ACCESSORIES

- |          |  |
|----------|--|
| AK00030  | Fresh air inlet cap with screen, 6" round        |
| AK00032  | Fresh air inlet cap with screen, 8" round        |
| 54060013 | Additional 8" round damper for ganged connection |

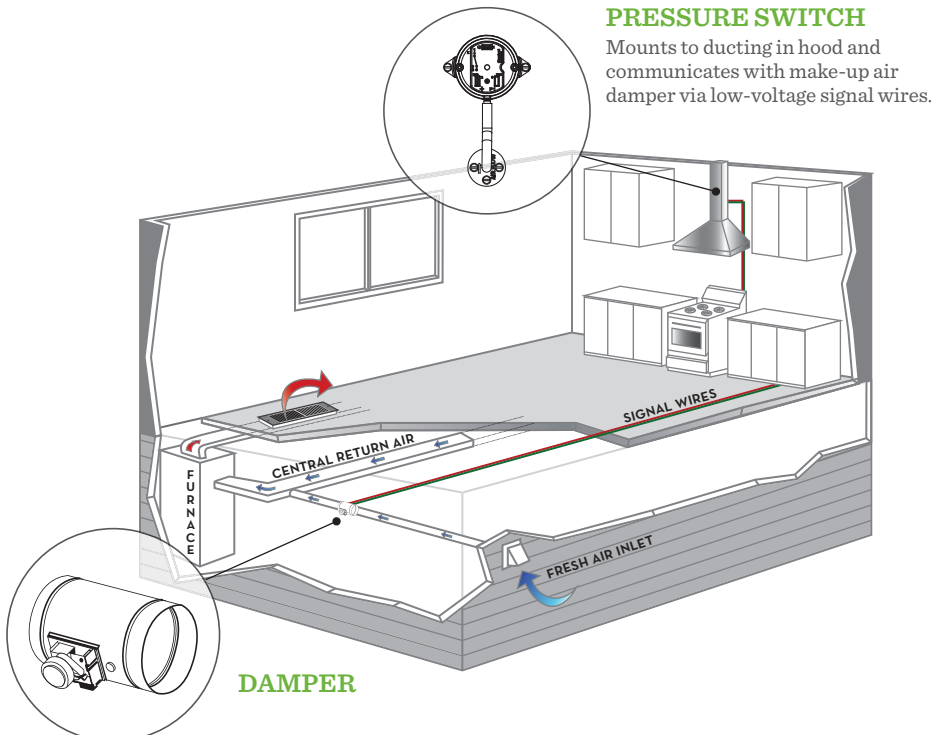


**MUA006A**  
Make-Up Air Damper



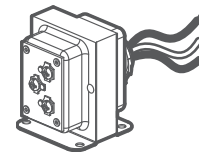
**MUA008A**  
Make-Up Air Damper

## Typical Installation



### PRESSURE SWITCH

Mounts to ducting in hood and communicates with make-up air damper via low-voltage signal wires.



### Transformer

Installs next to damper. Included with MUA006A & MUA008A

### Pressure Switch Components

Included with MUA006A & MUA008A

