

# Classic Brass

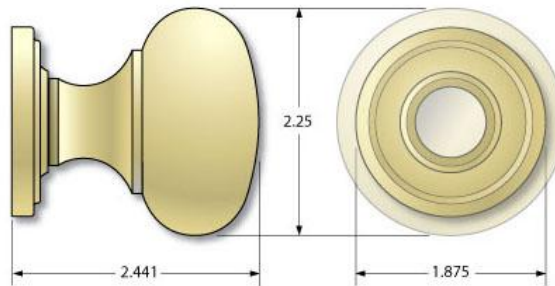
Cabinet Hardware Door Hardware Finishes Classic Solutions About Us Find a Dealer



## 2012 Product Additions Hutter Bun Knobs

**To Our Valued Dealers,**

*We're excited to introduce new product additions to our Hutter Collection. Stay tuned for product line announcements, Classic Solutions and new finishes which we will announce in the coming weeks.*



By any definition the 'bun' knob is an American classic. Unlike like many brass knobs in the marketplace, this knob is solid with one piece construction. You can feel the quality. Available in three new sizes with two new complementing rose styles which are interchangeable with all existing Classic Brass knobs and levers. Keep mind we already have a 1-3/4" Bun Knob, should you require a very small door knob.

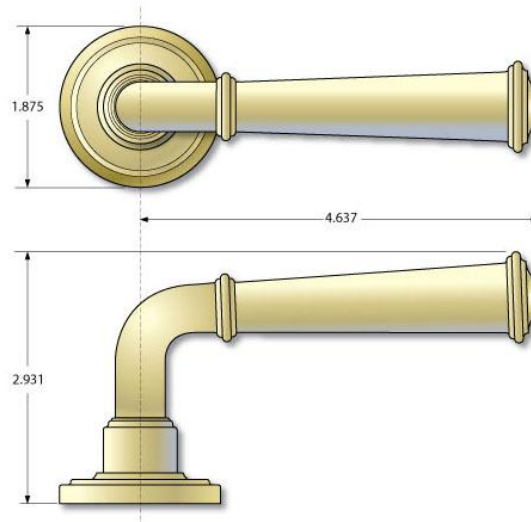
**Dimension:** Knobs 2", 2-1/4", 2-1/2"  
Rose 1-7/8", 2-1/2"

**Available:** In stock and available for shipment

**Lead-time:** 4-5 weeks

**Finishes:** All standard brass finishes and any custom finishes

## Hutter Lever - Large



Due to numerous requests from our customers we have added a larger version of the Hutter lever.

The increased width and height of doors coupled with the need for slightly larger levers for multi point doors makes this a natural for a classic styled residence. Use with either of the two new roses added to the collection or pair with the bun knobs for a stylish traditional look.

*Dimension:* 4.63" x 2.93"

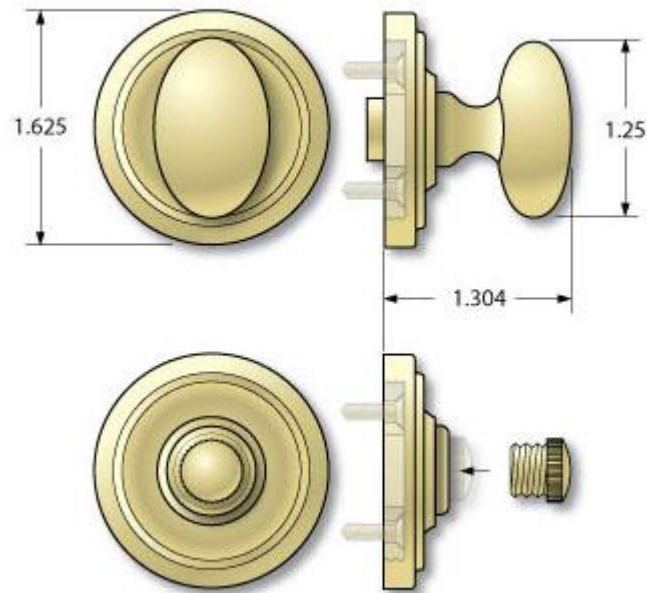
*Available:* In stock and available for shipment

*Lead-time:* 4-5 weeks

*Finishes:* All standard brass finishes and any custom finishes

---

## Oval Turnpiece and Round Plate



Oval turnpieces are a standard in the industry. The details of the round turnpiece plate complement the new Hutter roses paired with the Bun Knobs. Another feature is the mounting screws are concealed which provides for a very clean installation.

Orders accepted on or after October 1, 2012 for delivery on or after December 1, 2012.

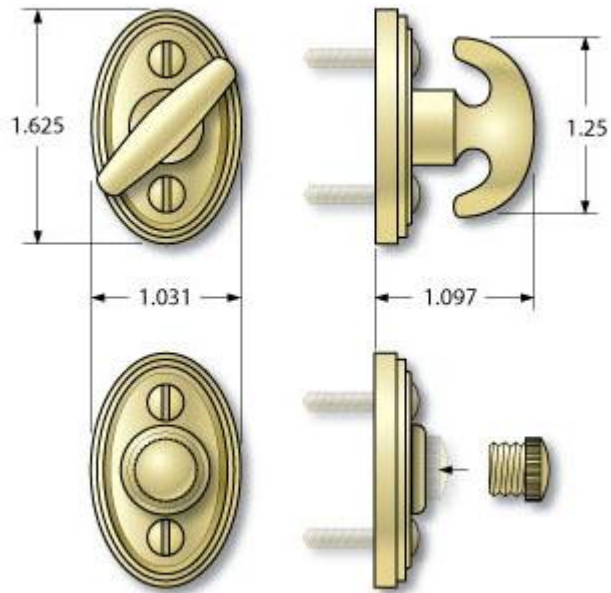
Lead-time will be 4-5 weeks starting January 2013

*Dimension:* Oval Turnpiece 1-3/4" Turnpiece Plate 1-5/8"

*Finishes:* All standard finishes and any custom finishes

---

## Anchor Turnpiece with Oval Plate



The Anchor style turnpiece with the oval turnpiece plate is a great option for a classic look on your interior sectional trim.

Orders accepted on or after October 1, 2012 for delivery on or after December 1, 2012.

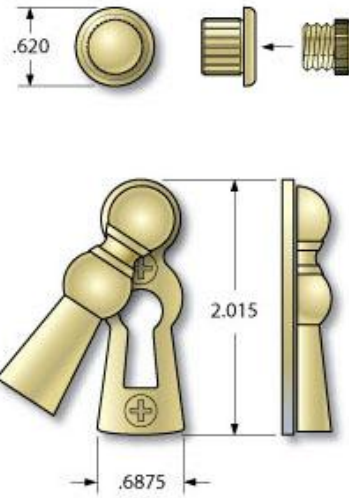
Lead-time will be 4-5 weeks starting January 2013

*Dimension:* Anchor Turnpiece 1-1/4"  
Oval Turnpiece Plate 1-5/8"

*Finishes:* All standard finishes and any custom finishes

---

## EE Trim



We have added two options to improve the options to create unique EE trim for Privacy function applications where sectional trim is specified.

*Dimension:* #13 - .620 'Mrs. Butterworth' - .6875 x 2.105

*Available:* In stock and available for shipment

*Lead-time:* 4-5 weeks

*Finishes:* All standard finishes and any custom finishes

---

## Mortise Cylinder Collars



We are experiencing an ever increasing request for sectional trim for both mortise and tubular applications. We have added two cylinder collars and one with a swingcover. The swingcover may be specified for use as sectional trim or may be added to an escutcheon to provide for a clean, upscale appearance.

Orders accepted on or after October 1, 2012 for delivery on or after December 1, 2012.

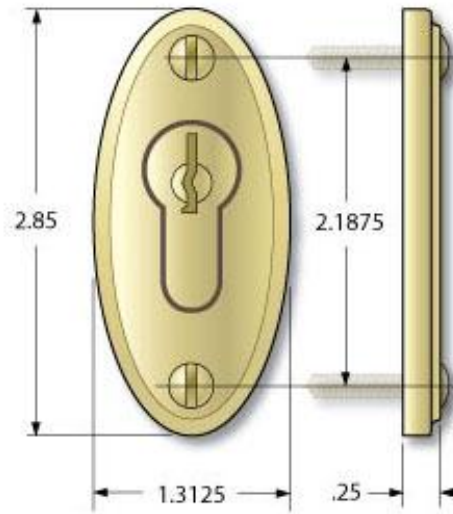
Lead-time will be 4-5 weeks starting January 2013

*Dimension:* 1-3/4", 2-0"

*Finishes:* All standard finishes and any custom finishes

---

## M/P Sectional Trim - Oval



Sectional trim for interior doors on finer homes is on the rise and certainly a driving reason behind a number of the additions above.

Sectional trim for M/P door applications is an excellent option to the standard escutcheon found on the majority of the doors in the USA.....especially if you have narrow stiles. It is extremely attractive, as in some cases 'less is more'!! Sectional trim is available for all functions required for euro profile cylinder. Where American cylinder locks are installed in the door, the trim can be used for all functions except ENTRANCE (or where a key is required).

The trim can be made with square corners, eyelid top or oval. The standard edge detail is our Hutter Offset edge.

Contact us to discuss your requirements.

Orders accepted now for delivery after October 15, 2012

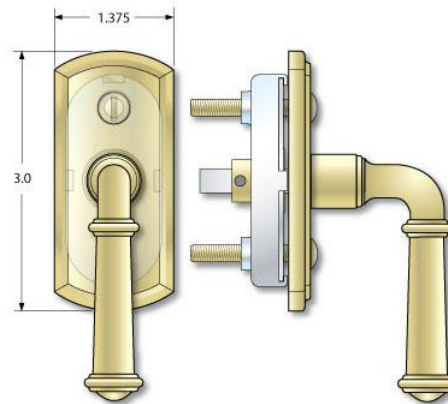
*Dimension:* 1.31" x 2.85"

*Lead-time:* 4-5 weeks

*Finishes:* All standard brass finishes and any custom finishes

---

## M/P Window Operator



When you need an operator for M/P windows.....stop looking and call us! We produce M/P window operator trim every week and we can provide you with the solution that simply is not available by other solid brass manufacturers.

Contact us to discuss profile options or narrow width escutcheons for your projects.

Orders accepted now for delivery after October 15, 2012

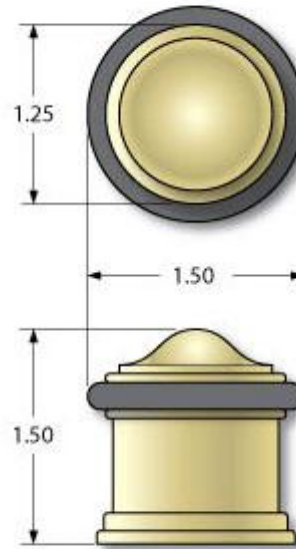
*Dimension:* 1.375" x 3-0"

*Lead-time:* 4-5 weeks

*Finishes:* All standard brass finishes and any custom finishes

---

## Hutter Door Stop



We've added another style of door stops which will provide additional options to the two styles already available in our door product offering.

The Hutter Door Stops are currently in-stock and we are accepting orders.

*Dimension:* 1-1/2" x 1-1/4"

*Lead-time:* 4 - 5 weeks

*Finishes:* All standard finishes and any custom finishes

