

# WhisperRecessed™ VENTILATION FAN

FV-08VRL1

## The Design Solution for Bathroom Fan/Light Combinations

- ENERGY STAR rated architectural grade recessed fan/light
- Quiet, energy efficient and powerful 80 CFM ventilation hidden above the ceiling
- Beautiful lighting with 6-1/2" aperture and advanced luminaire design
- Adjustable lamp positioning and deeper regression reduces glare

### Additional Benefits

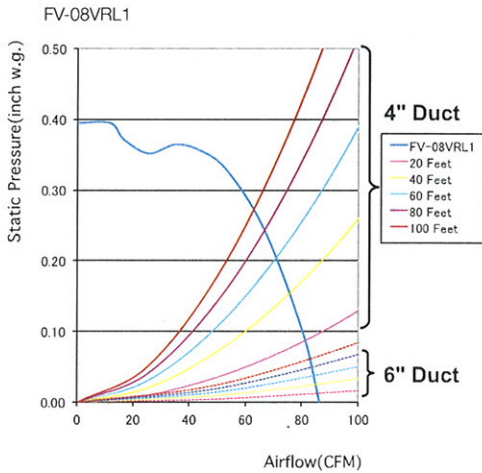
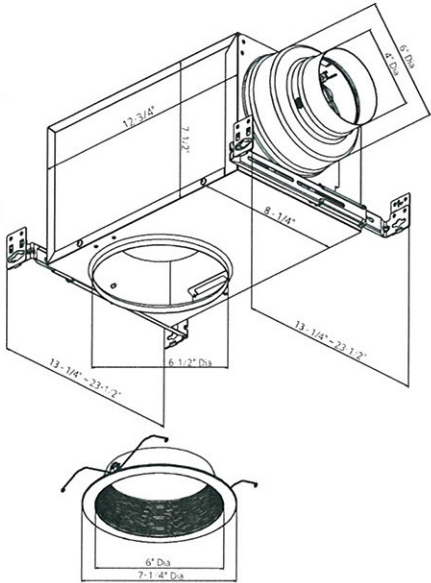
- Can be used to comply with ASHRAE 62.2, LEED, CalGreen and CA Title 24
- Dual 4" or 6" duct adapter
- UL listed for tub/shower enclosure when used with a GFCI branch circuit
- IC rated
- Includes (1) 18-Watt Self Ballasted GU24 Base CFL
- 3-year warranty



**Panasonic ideas for life**

WhisperRecessed™ Ventilation Fans

# WhisperRecessed™ Ventilation Fans



INCLUDED: One 18-Watt GU24 Spiral CFL/2700 Kelvin/84 CRI/1250 Lumens each/ENERGY STAR<sup>®</sup> qualified/10,000 hours rated average life/equivalent to 75-Watt incandescent lamp/integral electronic ballast for flicker-free operation.

| WhisperRecessed                                    |                                    | FV-08VRL1    |      |
|--|------------------------------------|--------------|------|
| Characteristics<br>(HVI tested data for 0.1" S.P.) | Static Pressure in inches w.g.     | 0.1          | 0.25 |
|  | Air Volume (CFM)                   | 80           | 66   |
|  | Noise (sones)                      | 0.8          | 0.7  |
|  | Power Consumption (watts)          | 20.5         | 19.5 |
|  | Energy Efficiency (CFM/Watt)       | 4.0          | 3.4  |
|  | Speed (RPM)                        | 1378         | 1501 |
|  | Current (amps)                     | 0.17         | 0.17 |
|  | MAX. Current (amps)                | 0.19         |      |
|  | Power Rating (V/Hz)                | 120/60       |      |
|  | Specifications                     | Motor Type   | AC   |
| Type of Motor Bearing                              |                                    | Ball         |      |
| Thermal Fuse Protection                            |                                    | Yes          |      |
| Blower Wheel Type                                  |                                    | Sirocco      |      |
| ENERGY STAR Qualified                              |                                    | Yes          |      |
| Installation                                       | Duct Diameter (Inches)             | 4 & 6        |      |
|  | Housing Collar Opening (Inches)    | 6-1/2" Round |      |
|  | Trim Outer Diameter (Inches)       | 7-1/4" Round |      |
| Light Specifications                               | Lamp Watts                         | 1 x 18       |      |
|  | Color Rendering Index              | >80          |      |
|  | Color Temperature (Kelvin)         | 2,700        |      |
|  | Rated Life (hours)                 | 10,000       |      |
|  | Lamp Model #                       | MLS18GUWW    |      |
|  | Type of Lamp Socket                | GU24         |      |
| Shipping   | Gross Weight (lbs)                 | 10.8         |      |
| Approved Code/<br>Standard/<br>Regulation          | Washington VIAQ Code               | Yes          |      |
|  | Mfg in ISO 9001 Certified Facility | Yes          |      |

\* Lamp contains mercury. Dispose of according to local, state and federal laws.



Printed with soy ink on 10% post-consumer recycled paper.

**Panasonic Eco Solutions North America**  
**Eco Products Division**  
 One Panasonic Way, 1H-3  
 Secaucus, NJ 07094  
 (201) 348-7000

**For Distributor Order Information**  
 PHONE: 866-292-7299  
 FAX: 888-553-0723

[www.panasonic.com/building](http://www.panasonic.com/building)

[ventfans@us.panasonic.com](mailto:ventfans@us.panasonic.com)

Design and specifications subject to change without notice.